

## Plug-in Screw Connector System for Printed Circuit Boards

### TYPE 950-FL-DS

5 mm spacing - 2 to 24 poles

[Distributor Stock Check](#)

<a href="#">Series</a>	<a href="#">Download PDF</a>	<a href="#">3D Model</a>	<a href="#">Can plug with</a>	<a href="#">How to order</a>	<a href="#">Color specifications</a>	<a href="#">Print</a>
------------------------	------------------------------	--------------------------	-------------------------------	------------------------------	--------------------------------------	-----------------------



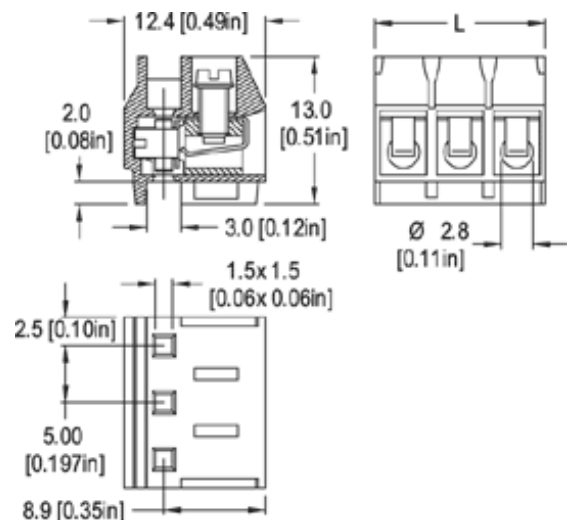
950-FL-DS



One possible variation of assembly



RoHS WEEE Pb free compliant



Dimensions: mm (in.)

Length of Connector (L)

L = No. of Poles x Center to Center Spacing

When locating connector, allow 0.5 mm clearance around it for process-induced variations.

### Description

- Plug
- Solid version
- Plug-In Direction Perpendicular to PCB and Wire Entrance Parallel to PCB when plugged with **971-SLK /-SLS /-SLW, 971-SLK-SMD, 971-SLK-THR, 971-SLK-CPL, 971-SLT-SMD**
- Plug-In Direction Parallel to PCB and Wire Entrance Perpendicular to PCB when plugged with **950-SLS**

### Technical Data

**Center to Center Spacing:** 5 mm (0.197 in.)

**Nominal Cross Section:**

1.5 mm<sup>2</sup> (2325 mils<sup>2</sup>)

**Wire Stripping Length:** 6 mm (0.25 in.)

### Approval Information

UL File No.E69841

CSA File No.LR24322

Rating	Current(A)	Voltage(V)	Application group	AWG
UL	10	300	B	26-14
CSA	10	300	B,D,E	26-14

### Screw Tightening Torque:

UL: 3.5 lbf·in

CSA: 0.4 Nm

**Rated Impulse Withstand Voltage:** 2500 V

### Application

### Material

This can be plugged with the 971-SLK /-SLS /-SLW.  
Entry of the pin can be on top side (971-SLK only) or  
on the bottom (971-SLK /-SLS /-SLW) of these plugs.

**Version:** 2 to 12 poles  
**Molding:** Polyamide 6.6, self extinguishing UL 94, V-0, color grey  
**Temperature limits:**  
**Short Time:** 140°C (284°F)  
**Continuous:** RTI 105°C (221°F)  
**Low Limit:** -40°C (-40°F)  
**Comparative Tracking Index:** CTI > 600  
**Oxygen Index Rating:** 32%

**Version:** 13 to 24 poles  
**Molding:** Polyamide (glass fiber reinforced), self extinguishing UL 94, V-0, color grey  
**Temperature limits:**  
**Short Time:** 200°C (392°F)  
**Continuous:** RTI 105°C (221°F)  
**Low Limit:** -40°C (-40°F)  
**Comparative Tracking Index:** CTI > 175  
**Oxygen Index Rating:** 33%

**Terminal Body:** Nickel plated copper alloy  
**Wire Protector and Contact Spring:** Tin plated copper alloy  
**Screw:** M2.6, Slotted head, zinc plated blue passivated, steel substrate

 [Top of page](#)

## How to order

**Item** 950-FL-DS

### Options

**CN:** Consecutive Numbering (hot stamped numbers)  
**SM:** Special Marking (please provide sketch)  
**PS:** Clear Chromate Passivated, zinc plated, Steel Screws  
**G05:** Gold Plating (5 micro inches)  
**G30:** Gold Plating (30 micro inches)  
**S30:** Silver Plating (30 micro inches)  
**SLW:** 971-SLW Pinstrips assembled to Plug

**Note:** Plated component: wire protector

**Ordering Note:** Voltage rating for 10 mm spacing is UL certified for 10A - 300V / B,D (952-FL (-DS)).

**Request sample**

**Request quote**

Quantity

### Accessories

[BST Self Adhesive Marking Strips.](#)  
[Consecutively numbered.](#)  
[Jumper, Type 970-J1.](#)  
[LST Single Pins.](#)

950-	TERMINAL BODY: chamfered: B standard: leave blank	POLES: 02 to 24
	-FL-DS /	

[Add to shopping cart](#)