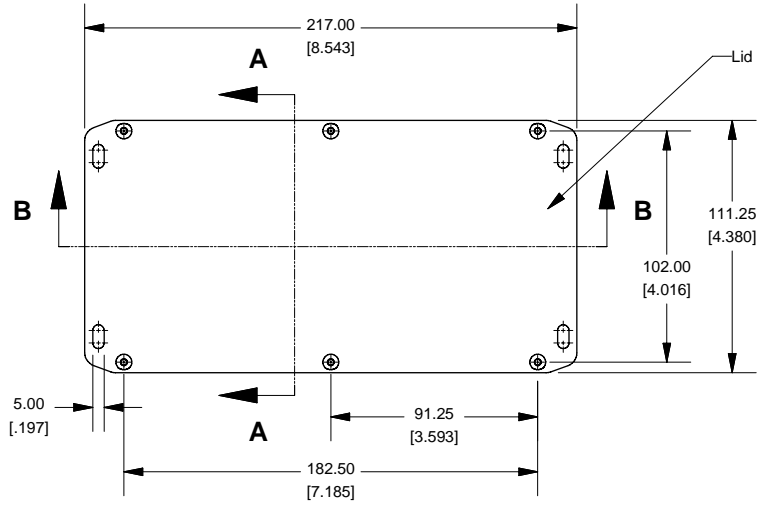
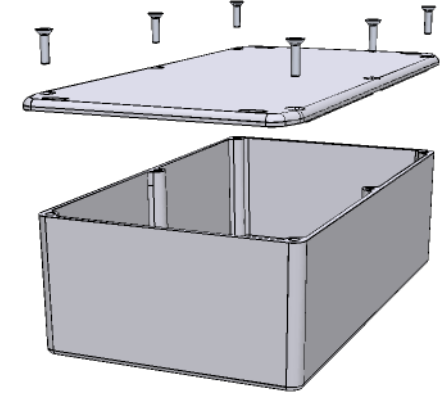
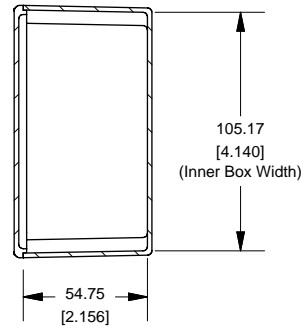


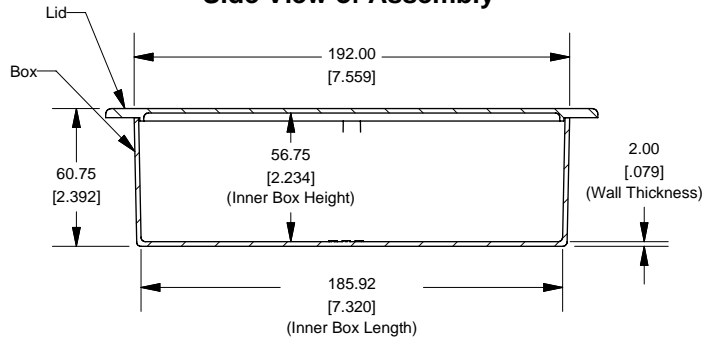
Top View of Assembly



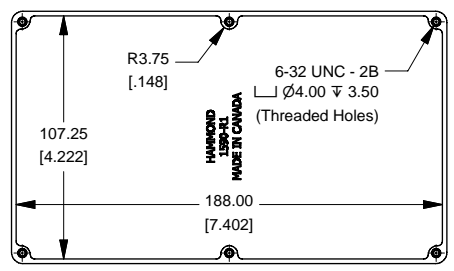
SECTION A-A End View of Assembly



SECTION B-B Side View of Assembly



Top View Looking Inside Box



1590R1FL (Flanged Lid)

Enclosures can be Factory Modified (Milling, Drilling, Printing etc.)
 Solid models of this enclosure available in STEP or IGES.
 Contact Factory mjm@hammondmfg.com

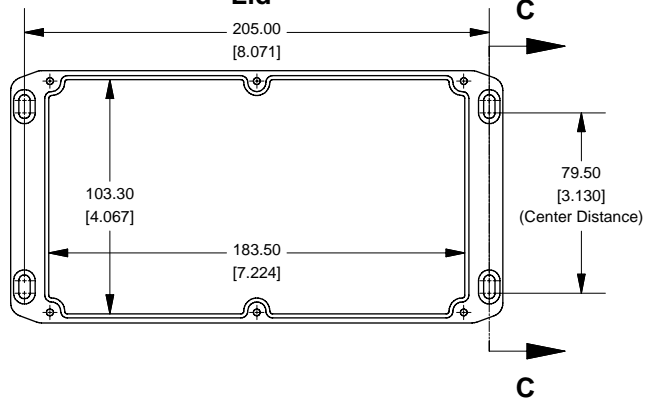
NOTE

Purchased assembly includes box, lid and 6 cover screws.
 Box and lid are made from Diecast Aluminum Alloy (alloy type 380).
 Silicone Gasket Loctite #5950

PART NUMBERS

1590R1FL Enclosure	
Unfinished	1590R1FL
Grey Textured Polyester Powder Paint - RAL 7038	1590R1FLGY
Black Textured Polyester Powder Paint - RAL 9011	1590R1FLBK
1590R1FL Liquid Resistant Enclosure (Silicon Factory Installed Gasket)	
Unfinished	1590WR1FL
Black Textured Powder Paint	1590WR1FLBK
ACCESSORIES	
Waterproof Cover Screws	
Black Textured Cover Screws (Pkg 50) [6-32 x 1/2" SS Type 304]	1590WMS100BK
Unfinished Cover Screws (Pkg 100) [6-32 x 1/2" Nickel Plated Screws]	1590WMS100
Standard Cover Screws	
Unfinished Cover Screws (Pkg 100) [6-32 x 1/2" Nickel Plated Screws]	1590MS100
Black Textured Cover Screws (Pkg 50) [6-32 x 1/2" SS Type 304]	1590MS100BK

Lid



SECTION C-C Side of Slot

