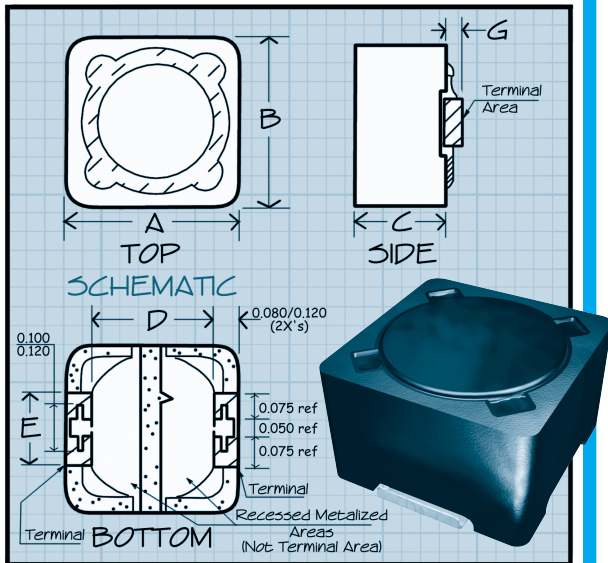


Series SPD125R & SPD127R SPD125 & SPD127

RoHS
Compliant

Traditional
First Quality

Shielded Surface Mount Inductors



Physical Parameters

| | Inches | Millimeters |
|---|-----------------|--------------------------|
| A | 0.472 ± 0.020 | 12.0 ± 0.5 |
| B | 0.472 ± 0.020 | 12.0 ± 0.5 |
| C | 0.236 Max. | 6.0 Max. (Series SPD125) |
| | 0.315 Max. | 8.0 Max. (Series SPD127) |
| D | 0.300 ± 0.020 | 7.6 ± 0.5 |
| E | 0.198 ± 0.020 | 5.0 ± 0.5 |
| F | 0.086 ± 0.020 | 2.18 ± 0.5 |
| G | 0.015 Ref. only | 0.38 Ref. only |
| H | 0.075 Ref. only | 1.91 Ref. only |
| I | 0.198 Ref. only | 5.03 Ref. only |

Mechanical Configuration Units designed for surface mounting; ferrite core and ferrite sleeve

Terminals are Solderable More than 95% new solder coverage when subjected to soldering temperature

Operating temperature range -55°C to +125°C

Application Frequency Range

Values 2.2µH to 10µH to 1.0 MHz Min.

Values above 10µH to 300 KHz Min.

Current Rating at 25°C Ambient The maximum DC current that will cause a 40°C maximum temperature rise and where the inductance will not decrease by more than 10% from its zero DC value

Packaging Tape & reel (24mm):

13" reel, 500 pieces max.; 7" reel not available

DASH NUMBER*

INDUCTANCE
(µH) ± 20%

TEST
FREQUENCY (KHz)

DC RESISTANCE
MAXIMUM (Ohms)

CURRENT RATING
MAXIMUM (Amps)

| SERIES SPD125 | | | | |
|---------------|------|-----|-------|------|
| -222M | 2.2 | 100 | 0.020 | 7.00 |
| -332M | 3.3 | 100 | 0.030 | 5.50 |
| -472M | 4.7 | 100 | 0.040 | 5.00 |
| -682M | 6.8 | 100 | 0.050 | 4.50 |
| -103M | 10 | 100 | 0.055 | 4.00 |
| -123M | 12 | 1.0 | 0.060 | 3.50 |
| -153M | 15 | 1.0 | 0.065 | 3.30 |
| -183M | 18 | 1.0 | 0.070 | 3.00 |
| -223M | 22 | 1.0 | 0.075 | 2.80 |
| -273M | 27 | 1.0 | 0.085 | 2.30 |
| -333M | 33 | 1.0 | 0.095 | 2.10 |
| -393M | 39 | 1.0 | 0.105 | 2.00 |
| -473M | 47 | 1.0 | 0.115 | 1.80 |
| -563M | 56 | 1.0 | 0.135 | 1.60 |
| -683M | 68 | 1.0 | 0.170 | 1.50 |
| -823M | 82 | 1.0 | 0.190 | 1.40 |
| -104M | 100 | 1.0 | 0.210 | 1.30 |
| -124M | 120 | 1.0 | 0.250 | 1.10 |
| -154M | 150 | 1.0 | 0.300 | 1.00 |
| -184M | 180 | 1.0 | 0.350 | 0.90 |
| -224M | 220 | 1.0 | 0.420 | 0.80 |
| -274M | 270 | 1.0 | 0.510 | 0.75 |
| -334M | 330 | 1.0 | 0.600 | 0.70 |
| -394M | 390 | 1.0 | 0.750 | 0.65 |
| -474M | 470 | 1.0 | 0.820 | 0.60 |
| -564M | 560 | 1.0 | 1.000 | 0.55 |
| -684M | 680 | 1.0 | 1.300 | 0.50 |
| -824M | 820 | 1.0 | 1.650 | 0.45 |
| -105M | 1000 | 1.0 | 2.000 | 0.40 |

| SERIES SPD127 | | | | |
|---------------|------|-----|-------|------|
| -222M | 2.2 | 100 | 0.015 | 8.50 |
| -332M | 3.3 | 100 | 0.018 | 7.50 |
| -472M | 4.7 | 100 | 0.022 | 6.80 |
| -682M | 6.8 | 100 | 0.030 | 6.20 |
| -103M | 10 | 100 | 0.040 | 5.40 |
| -123M | 12 | 1.0 | 0.045 | 4.90 |
| -153M | 15 | 1.0 | 0.048 | 4.50 |
| -183M | 18 | 1.0 | 0.052 | 3.90 |
| -223M | 22 | 1.0 | 0.055 | 3.60 |
| -273M | 27 | 1.0 | 0.060 | 3.40 |
| -333M | 33 | 1.0 | 0.065 | 3.00 |
| -393M | 39 | 1.0 | 0.080 | 2.80 |
| -473M | 47 | 1.0 | 0.100 | 2.50 |
| -563M | 56 | 1.0 | 0.120 | 2.30 |
| -683M | 68 | 1.0 | 0.140 | 2.10 |
| -823M | 82 | 1.0 | 0.170 | 1.90 |
| -104M | 100 | 1.0 | 0.220 | 1.70 |
| -124M | 120 | 1.0 | 0.250 | 1.60 |
| -154M | 150 | 1.0 | 0.320 | 1.40 |
| -184M | 180 | 1.0 | 0.360 | 1.30 |
| -224M | 220 | 1.0 | 0.390 | 1.20 |
| -274M | 270 | 1.0 | 0.520 | 1.10 |
| -334M | 330 | 1.0 | 0.620 | 1.00 |
| -394M | 390 | 1.0 | 0.750 | 0.90 |
| -474M | 470 | 1.0 | 0.980 | 0.80 |
| -564M | 560 | 1.0 | 1.150 | 0.75 |
| -684M | 680 | 1.0 | 1.220 | 0.70 |
| -824M | 820 | 1.0 | 1.400 | 0.65 |
| -105M | 1000 | 1.0 | 1.540 | 0.62 |

*Complete part # must include series # PLUS the dash #

For further surface finish information,
refer to TECHNICAL section of this catalog.

POWER INDUCTORS