

Features

- Carbon element
- Insulated shaft
- Snap-in clip
- Center detent option
- Assorted pin layouts
- RoHS compliant*

Applications

- Audio/TV sets
- Car radio
- Amplifiers/mixers/drum machines/synthesizers
- PCs/monitors
- Appliances

PTV142 - 14 mm Dual Potentiometer

Electrical Characteristics

TaperLinear, audio
 Standard Resistance Range1 K ohms to 1 M ohms
 Standard Resistance Tolerance±20 %
 Residual Resistance500 ohms or 1 % max.

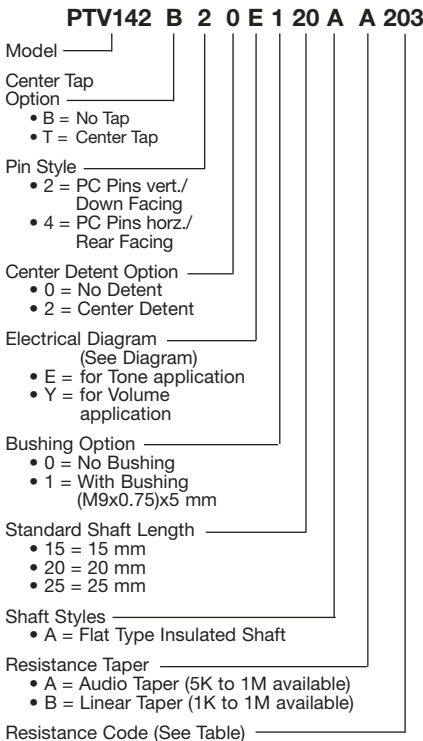
Environmental Characteristics

Operating Temp.-10 °C to +50 °C
 Power Rating0.05 watt
 Maximum Operating Voltage50 V AC
 Sliding Noise100 mV maximum

Mechanical Characteristics

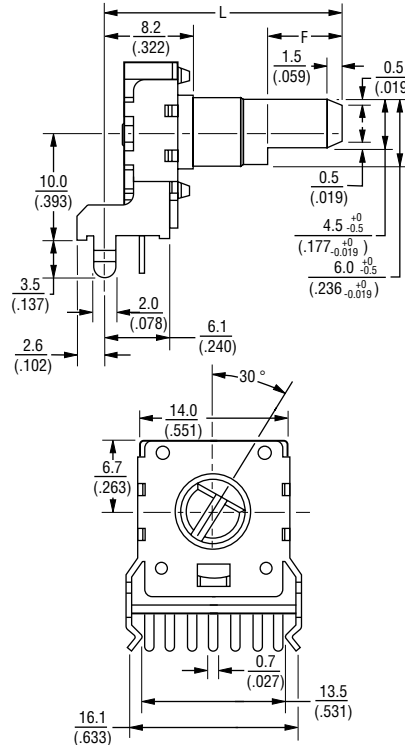
Mechanical Angle300 ° ±5 °
 Rotational Torque20 to 200 g-cm
 Detent Torque30 to 300 g-cm
 Stop Strength5 kg-cm min.
 Rotational Life15,000 cycles
 Soldering Condition300 °C max. within 3 seconds
 HardwareOne flat washer and mounting nut supplied per potentiometer with bushing

How To Order

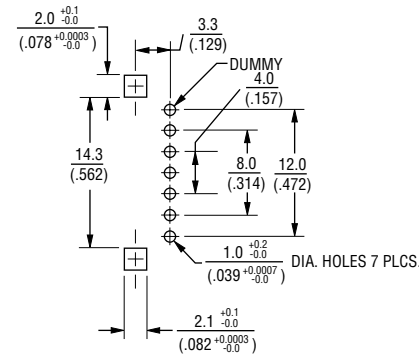


Product Dimensions

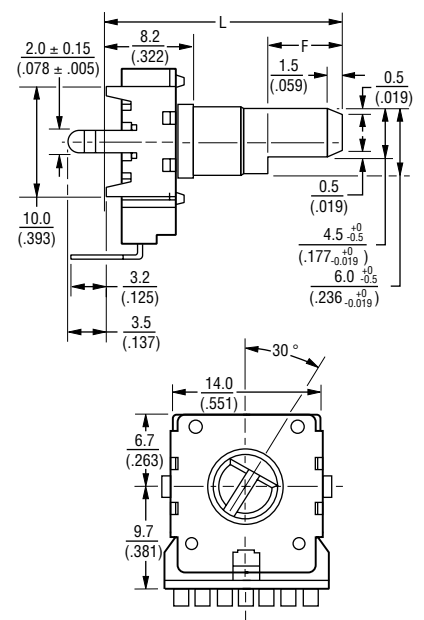
PTV142B-2 No Bushing



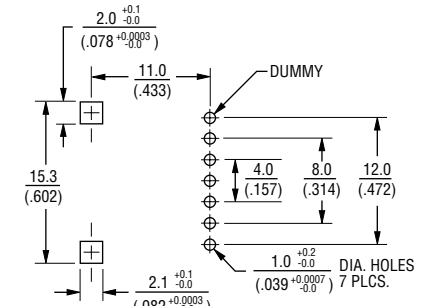
RECOMMENDED PCB LAYOUT



PTV142B-4 No Bushing



RECOMMENDED PCB LAYOUT



DIMENSIONS ARE: $\frac{\text{MM}}{\text{(INCHES)}}$

Dimensions Without Bushing

| | | | |
|---|--------|--------|--------|
| L | 15 | 20 | 25 |
| | (.590) | (.787) | (.984) |
| F | 4.5 | 7 | 12 |
| | (.177) | (.275) | (.472) |

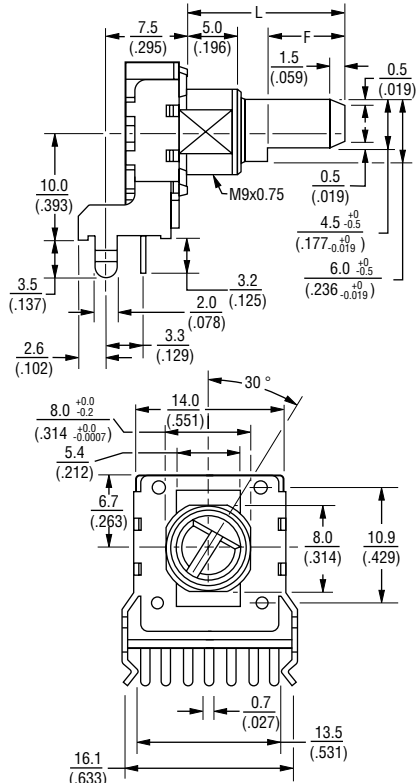
*RoHS Directive 2002/95/EC Jan 27 2003 including Annex. Specifications are subject to change without notice. Customers should verify actual device performance in their specific applications.

PTV142 - 14 mm Dual Potentiometer

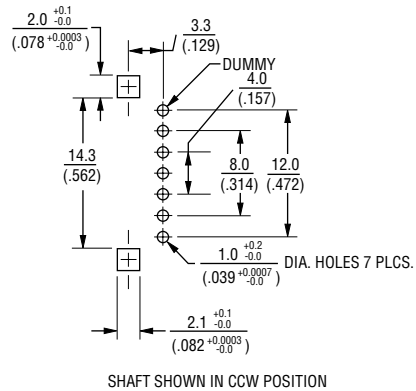
BOURNS®

Product Dimensions

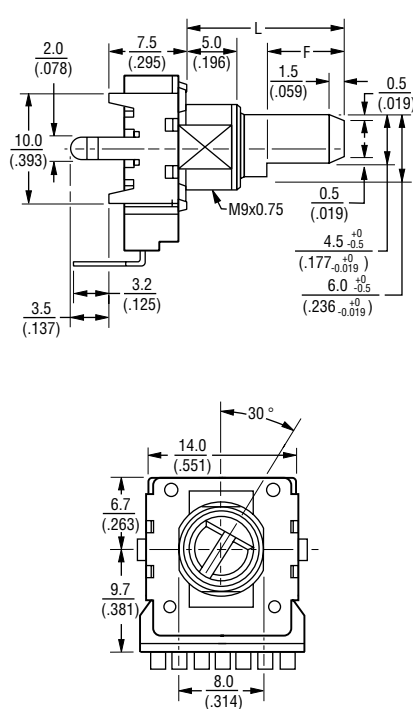
PTV142B-2 With Bushing



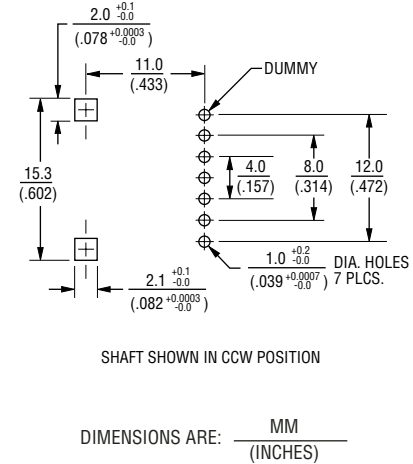
RECOMMENDED PCB LAYOUT



PTV142B-4 With Bushing



RECOMMENDED PCB LAYOUT

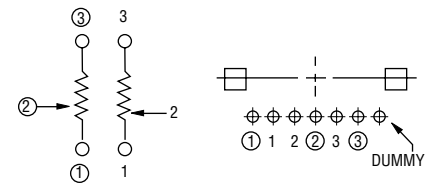


Dimensions With Bushing

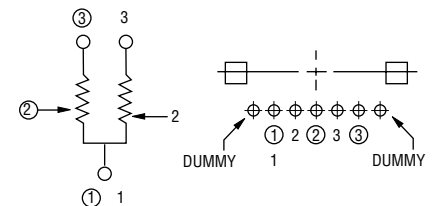
| | | | |
|---|--------|--------|--------|
| L | 15 | 20 | 25 |
| | (.590) | (.787) | (.984) |
| F | 7 | 12 | 12 |
| | (.275) | (.472) | (.472) |

Electrical Diagrams

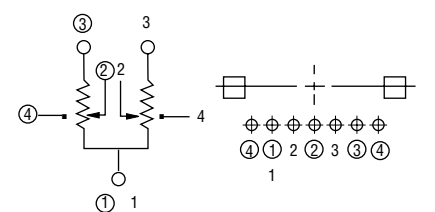
'E' FOR TONE APPLICATION



'Y' FOR VOLUME APPLICATION



'Y' WITH TAP



Standard Resistance Table

| Resistance (Ohms) | Resistance Code |
|-------------------|-----------------|
| 1,000 | 102 |
| 2,000 | 202 |
| 5,000 | 502 |
| 10,000 | 103 |
| 20,000 | 203 |
| 50,000 | 503 |
| 100,000 | 104 |
| 200,000 | 204 |
| 500,000 | 504 |
| 1,000,000 | 105 |

Derating Curve

