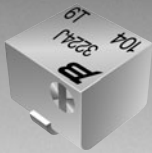


*RoHS COMPLIANT



BOURNS®

Features

- Surface Mount 4 mm Square / Multiturn Cermet / Industrial / Sealed
- Sealed to withstand board wash processing
- Pick and place centering design, with flush adjustment
- 4mm design meets EIA/EIAJ/IPC/VECI SMD standard trimmer footprint
- Low CRV - 1 %
- DESC selected material drawing #92021
- RoHS compliant* - see [processing information](#) on lead free surface mount trimmers

3224 - 4 mm SMD Trimming Potentiometer

Electrical Characteristics

Standard Resistance Range10 to 2 megohm
 (see standard resistance table)
 Resistance Tolerance±10 % std.
 Absolute Minimum Resistance1 % or 2.0 ohms
 (whichever is greater)
 Contact Resistance Variation1 % or 3 ohms max.
 Resolution.....Essentially Infinite
 Insulation Resistance500 vdc.
 100 megohms min.
 Dielectric Strength
 Sea Level600 vac (1 minute)
 Adjustment Angle.....11 turns nom.

Environmental Characteristics

Power Rating (300 volts max.)
 85 °C0.25 watt
 150 °C0 watt
 Temperature Range-65 °C to +150 °C
 Temperature Coefficient±100 ppm/°C
 HumidityMIL-STD 202 Method 106
 TRS ±2 %; IR 10 megohms
 Vibration20 G TRS±1 %; VRS ±1 %
 Shock100 G TRS ±1 %; VRS±1 %
 Load Life
@ 85 °C rated power 1,000 hours
 TRS3 ohms or 3 % (whichever is greater)
 Rotational Cycling.....200 cycles
 TRS3 ohms or 3 % (whichever is greater)
 Thermal Shock.....5 cycles
 TRS±2 %; VRS±1 %

Physical Characteristics

Mechanical StopWiper idles
 Torque180 g-cm max.
 WeightApproximately 0.01 oz.
 MarkingManufacturer's code,
 resistance code and date code
 SolderabilityPer MIL-STD-202,
 Method 208
 Wiper.....50 % (Actual TR) ±10 %
 FlammabilityUL94V0
 Pushover Strength
 J, G4.4 lbs.
 W, X1 lb.
 Adjustment ToolH-91

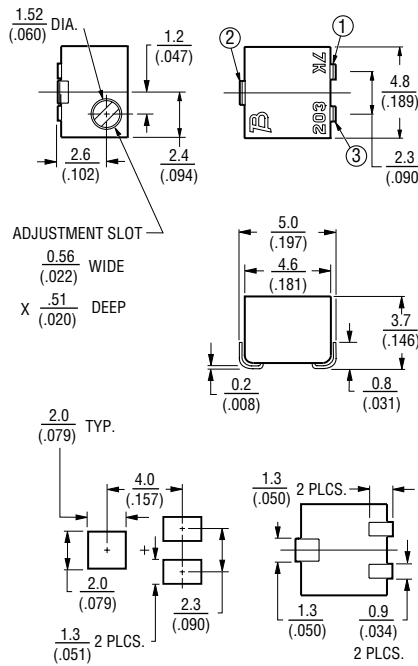
How To Order

3224 J - 1 - 502 E

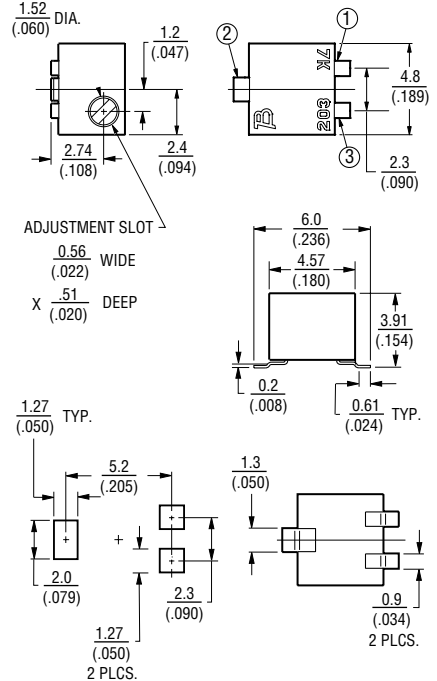
Model _____
 Style _____
 Standard or Modified Product Indicator _____
 -1 = IR Reflow (standard)
 †-2 = Wave Solderable
 -FW5 = .070" ± .010" Shaft Extension
 Resistance Code _____
 Embossed Tape Designator _____
 E = Style J, G: 500 pcs./7" reel (standard)
 Style W: 250 pcs./7" reel (standard)
 Style X: 200 pcs./7" reel (standard)
 G = Style J, G: 1500 pcs./13" reel (standard)
 Style W: 1000 pcs./13" reel (standard)
 Style X: 850 pcs./13" reel (standard)
 G = Style J, G: 1500 pcs./13" reel (FW5)
 Style W, X: 600 pcs./13" reel (FW5)

Consult factory for other available options.
 † -2 has a treated stainless steel shaft

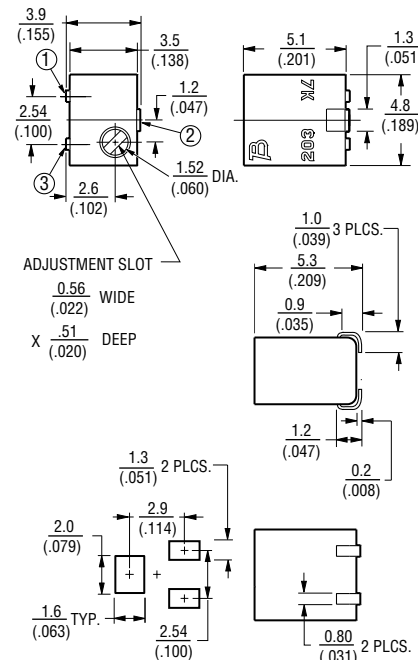
3224J Side Adjust



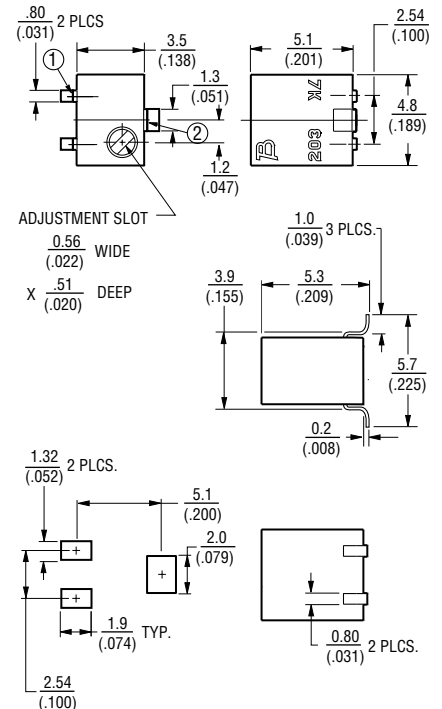
3224G Side Adjust



3224W Top Adjust



3224X Top Adjust



*RoHS Directive 2002/95/EC Jan 27 2003 including Annex.
 Specifications are subject to change without notice.
 Customers should verify actual device performance in their specific applications.

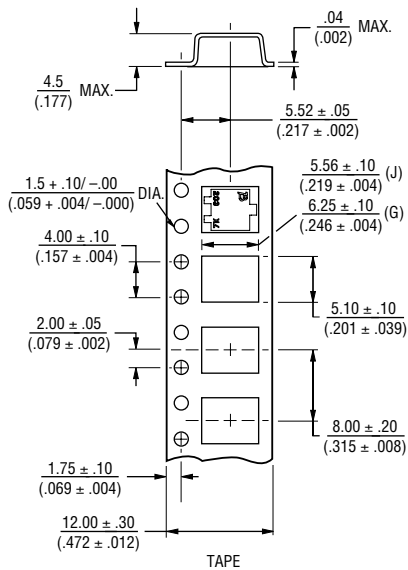
Additional Features

- Top and side adjust styles
- J-hook, and gull-wing
- Patent #5047746 advanced drive/wiper mechanism

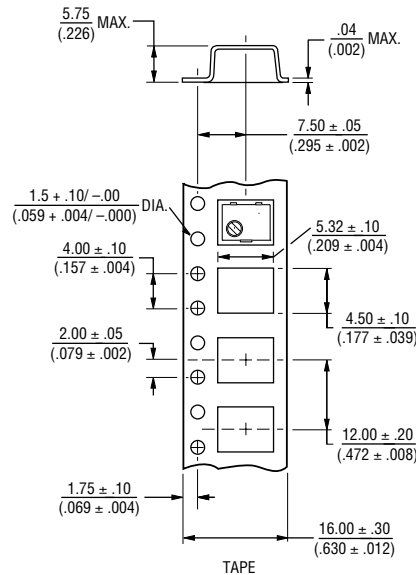
3224 - Packaging Specifications

BOURNS®

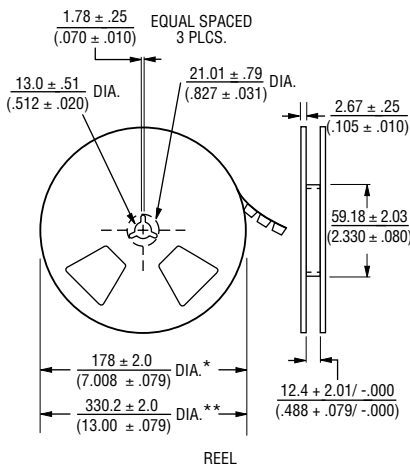
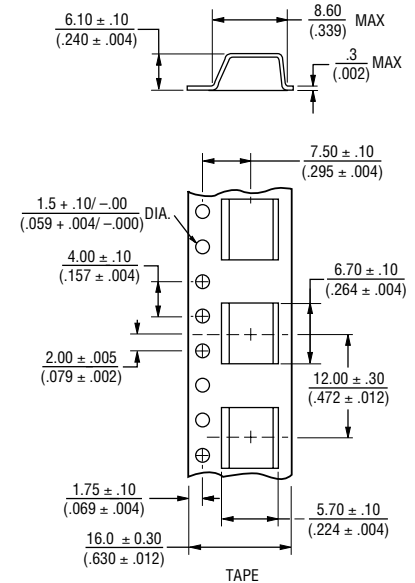
J & G Styles



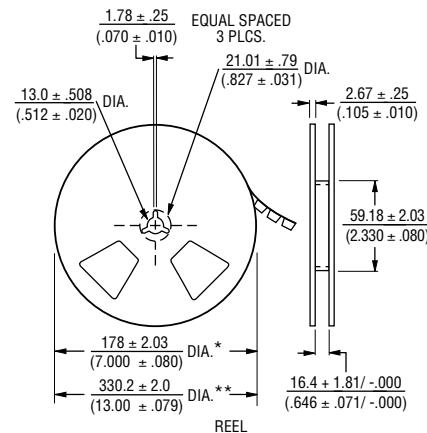
W Style



X Style



W & X Style Reel



* Embossed Tape Designator "E"
 ** Embossed Tape Designator "G"
 (See How To Order chart for further information.)

Cover tape peel strength: Meets EIA specification 481.

* Embossed Tape Designator "E"
 ** Embossed Tape Designator "G"
 (See How To Order chart for further information.)

Cover tape peel strength: Meets EIA specification 481.

Standard Resistance Table

Resistance (Ohms)	Resistance Code
10	100
20	200
50	500
100	101
200	201
500	501
1,000	102
2,000	202
5,000	502
10,000	103
20,000	203
50,000	503
100,000	104
200,000	204
500,000	504
1,000,000	105
2,000,000	205

Popular distribution resistance values listed in boldface. Special resistances available.

TOLERANCES: ± 0.25 (.010) EXCEPT WHERE NOTED

DIMENSIONS ARE: $\frac{\text{MM}}{\text{(INCHES)}}$

