

Datasheet
Modular Plugs and Jacks Overview

Modular Plugs and

[Home > Products > Jacks > Datasheet]

43860-0007

Modular Jack, Right Angle, Low Profile, Inverted, Lightpipes, 8/8

[View all parts in series 43860](#)
[2D Dimensions](#)
[Email this page](#)
[Samples](#)
[Buy](#)

Status	Active
Access Level	Internet
Component	PCB Jack
Ports	1
Positions / Loaded Contacts	8/8
Orientation	Right Angle (Side Entry)
Inverted / Top Latch	Yes
Product Name	RJ45
Performance Category	3
Shielded	No
Lightpipes/LEDs	Lightpipes

MOUNTING

Profile	Low
Grounding to PCB	No
PCB Mounting	Through Hole
Surface Mount Compatible (SMC)	No
PCB Retention	Snap-in Plastic Peg
PCB Thickness	1.6mm (.062")

PHYSICAL

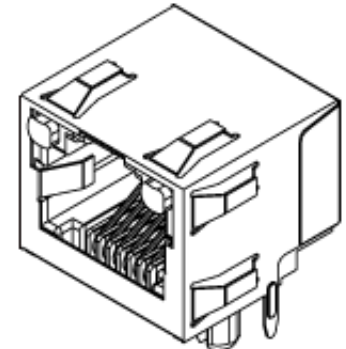
Contact	Phosphor Bronze (CuSn)
Plating Contact	1.3µm (50µ") Gold (Au)
Plating Tail	2.5µm (100µ") Tin (Sn)
Under Plating	Nickel (Ni)
Packaging	Tube
Housing Material	PA Polyamide (Nylon), High Temperature, Glass-filled
Color	Black
Flammability	UL 94V-0
Durability (mating cycles) min.	500 cycles

ELECTRICAL

Current-max [amps]	1.5A
Voltage-max [volts]	125V
Withstanding Voltage	1000V AC
Contact Resistance [ohms]	20 milliohms max.
Insulation Resistance [ohms]	500 Megohms min.

REFERENCE

UL File Number	E107635
CSA File Number	LR149980



**This part is
ELV and RoHS
COMPLIANT**

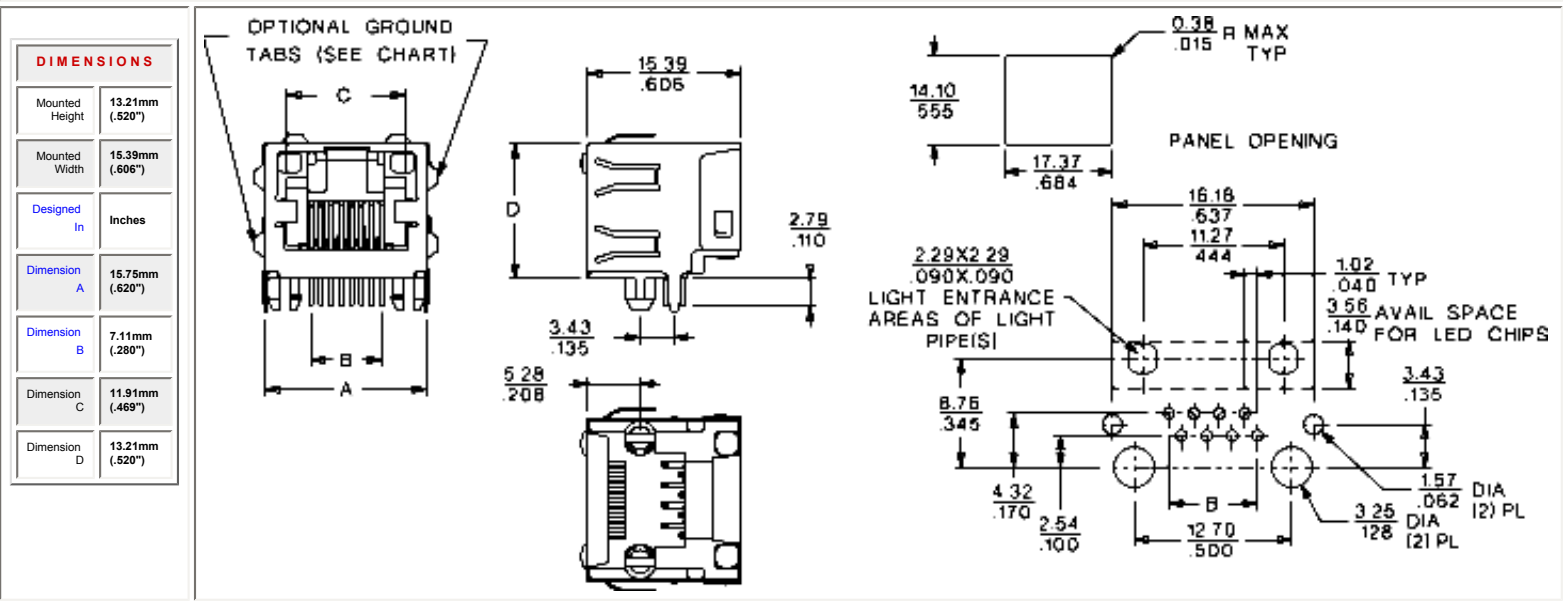
ENVIRONMENT	
RoHS Compliant	Yes
Lead-free Process Capability Tested	No
Lead-free Process Capability	Wave Capable (TH only)

Features and Benefits

- Lightpipes offer lower electrical noise than LED jacks
- Inverted plug latch on top for easy insertion and extraction
- Mating contacts on bottom of inverted jack provide shorter leads to reduce electrical noise
- Lightpipes require 33% fewer PC tails than LED jacks

Mates With	FCC 68 Plugs
Temperature Range	-40°C to +80°C
MX01 Catalog Page	O-38
Product Specification	PS-43860-003
Overview	Molex Products[4390]
Circuits / Positions	8
Loaded Contacts	8
Molex Series	43860
Marketing Series	43860p
Last Changed Date	2005-02
Product Management	Hirsch, Marty
Lab Office	UCP

2 D D R A W I N G - For reference only. See technical [Drawing \(PDF\)](#) for design-in purposes.



© Copyright 2005 Molex Incorporated