



products



search engine



sales rep locator



capabilities

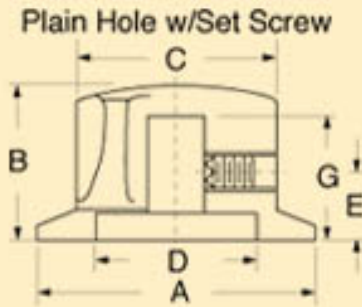


contact us



FLUTED INSTRUMENT

Material- Phenolic
Insert- Brass Bushing or Plain Hole



1910/1913/1925/1940
Spun silver disc



1910/1913/1930/1940
Spun silver disc with line



1910/1913 Lined



1900



1919

Material - Phenolic

Part No.	"A"	"B"	"C"	"D"	Inside Diameter	Finish	Type	Set Screw	"E"	"G"
1910CQ	3/4	1/2	17/32	9/16	1/4	SD	Plain Hole	8-32	7/32	13/32
1910CS	3/4	1/2	17/32	9/16	1/4	L	Plain Hole	8-32	7/32	13/32
1910CV	3/4	1/2	17/32	9/16	1/4	SDL	Plain Hole	8-32	7/32	13/32
1910EL*	3/4	1/2	17/32	9/16	1/8	L	BB	6-32	7/32	13/32

BB-Brass Bushing PH-Plain Hole SD-Spun Silver Disc L- w/ Indicator Line
 SDL-Spun Silver Disc w/ Indicator Line *Socket Type Set Screw
 † "D" shaped molded hole for 1/4" diameter shaft flatted to .188

[<< back](#)