



[HOME](#) | [ABOUT US](#) | [NEWS](#) | [CONTACT US](#)

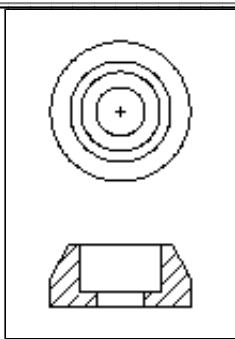
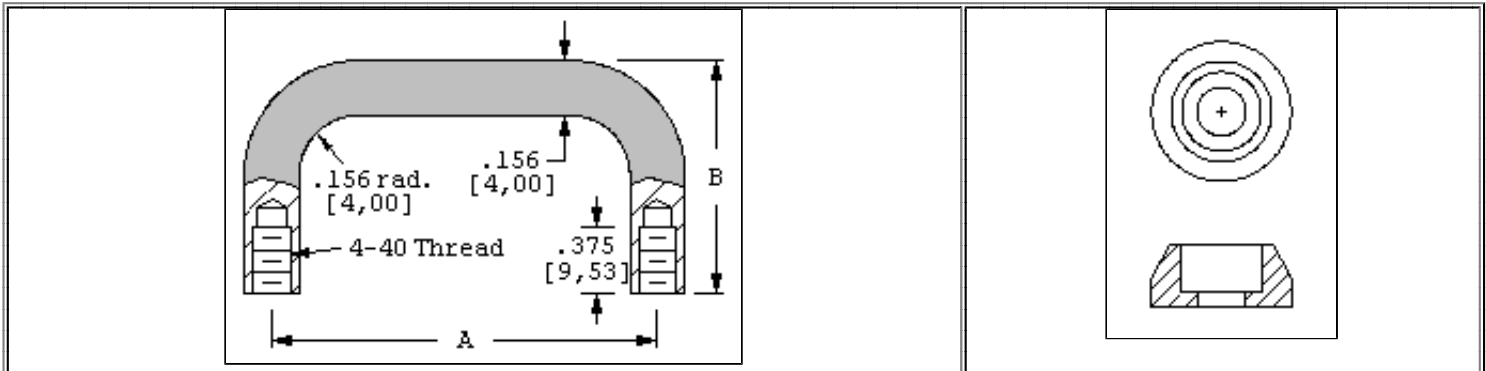
Search By Part number

Check stock by region

[PRODUCTS](#) || [CUSTOM CAPABILITIES](#) || [PART BUILDER](#) || [GLOBAL DISTRIBUTION](#) || [ORDER ONLINE](#)

# Round Instrumentation Handles


.156 [4,00] Dia. - Brass • Aluminum



## Round Instrumentation Handles .156 [4,00] Dia.

## Ferrules

Brass Nickel Plate	Aluminum Black Anodize	Mounting Centers "A"	Height "B"	Brass Nickel Plate	Aluminum Black Anodize
Cat. No.	Cat. No.	Inch [mm]	Inch [mm]	Cat. No.	Cat. No.
<b>7140</b>	<b>7170</b>	1.25 [31,8]	1.00 [25,4]	<b>7162</b>	<b>7192</b>
<b>7141</b>	<b>7171</b>	2.00 [50,1]	1.00 [25,4]		
<b>7142</b>	<b>7172</b>	3.00 [76,2]	1.00 [25,4]		

 [Also available, stainless steel mounting screws](#)

[Click to Request Samples](#)

[VIEW PRODUCT OVERVIEW](#)