

Searches

[Part Information](#) | [Line Drawings](#)

Quick Search

Global Part Search **NEW!**

Global Search

Company Information

About Tuchel

Amphenol Corporate

Our Commitment

Terms & Conditions

Environmental Information

Online Catalogs

Automotive Interconnect

Industrial Connectors

Search by Family

Search by Part

Process Info Request

Download Catalog

Smart Card Connectors

Contact Information

Find a Sales Location

Distributors

Technical Support

Contact Us

Amphenol Corporation



Part Information:

Part Number: VN16 135 0014



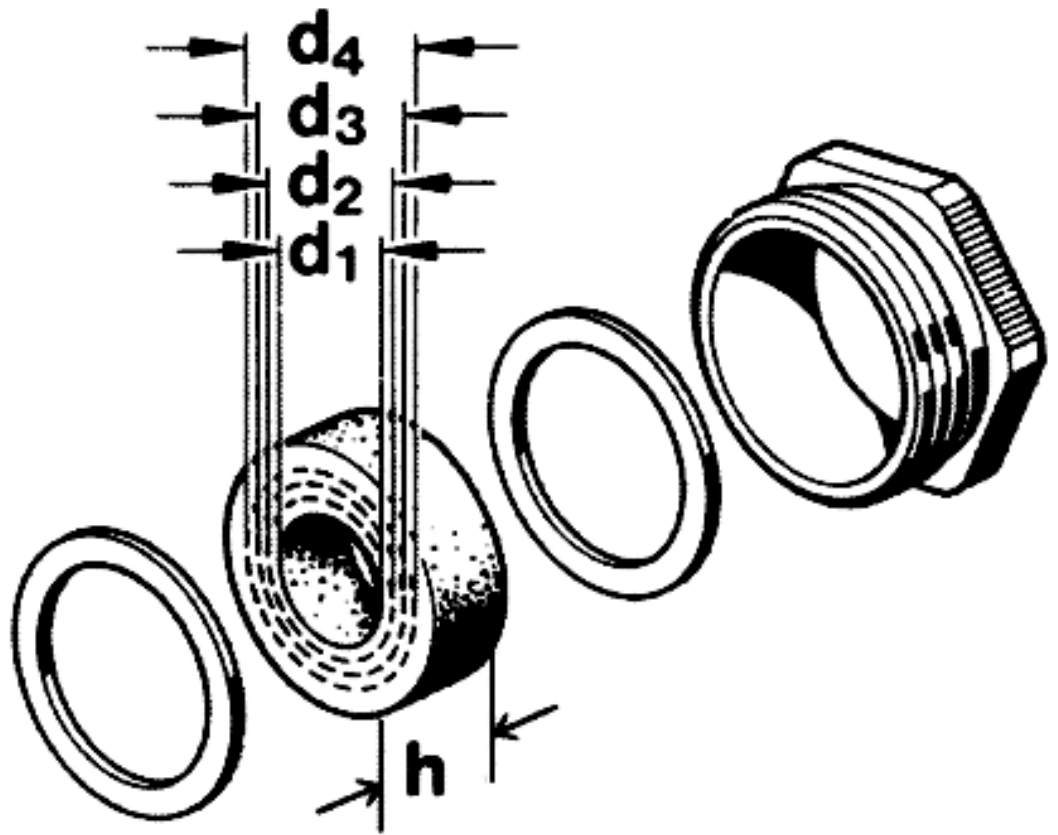
Description: Metal with variable inner diameter for PG gland bushings IP 65

Family: C146 Accessories

Click below to add part to your request list.
When you have finished browsing, click
"Process Info Request" button.



Line Drawings



Cable Diameter:	PG13.5
Dimension 1 or A:	7
Dimension 2 or B:	10.5
Dimension 3 or C:	13
Dimension 4 or D:	15
Height:	7