



Searches

[Part Information](#) | [Line Drawings](#)

Quick Search

Search

Global Part Search **NEW!**

Global Search

Company Information

[About Tuchel](#)

[Amphenol Corporate](#)

[Our Commitment](#)

[Terms & Conditions](#)

[Environmental Information](#)

Online Catalogs

[Automotive Interconnect](#)

[Industrial Connectors](#)

[Search by Family](#)

[Search by Part](#)

[Process Info Request](#)

[Download Catalog](#)

[Smart Card Connectors](#)

Contact Information

[Find a Sales Location](#)

[Distributors](#)

[Technical Support](#)

[Contact Us](#)

[Amphenol Corporation](#)



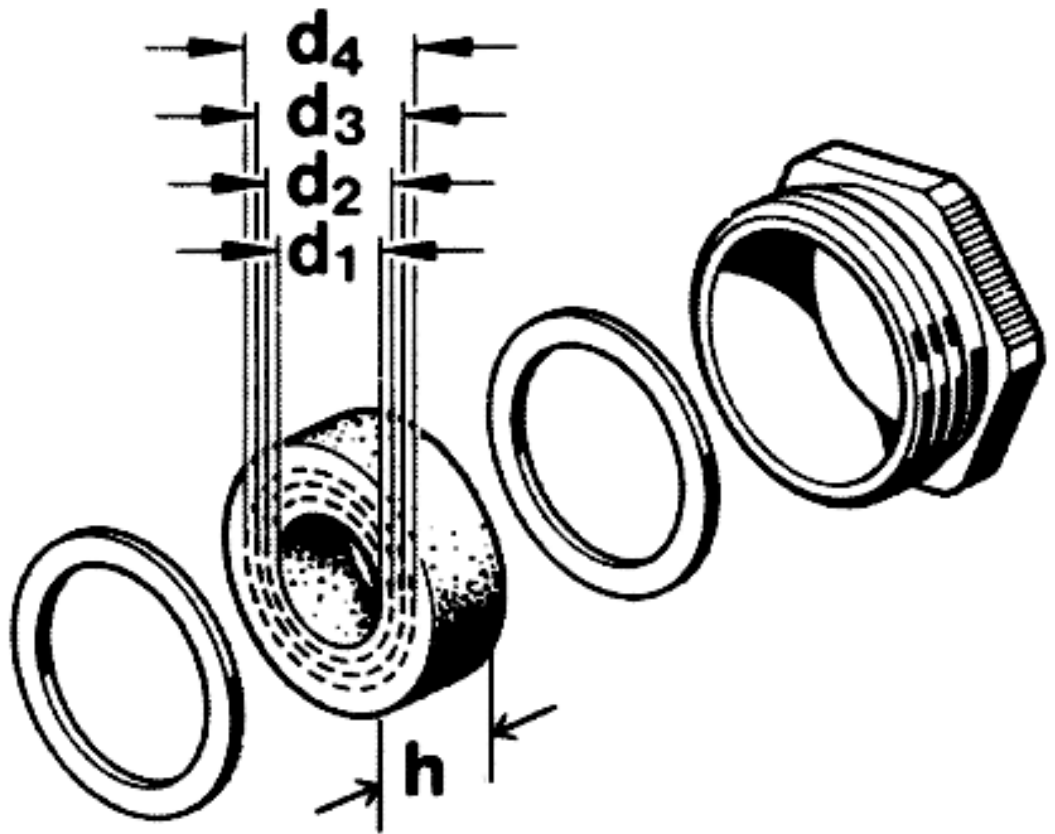
Part Information:

Part Number: VN16 110 0014



Description: Metal with variable inner diameter for PG gland bushings IP 65

Family: C146 Accessories



Cable Diameter:	PG11
Dimension 1 or A:	7
Dimension 2 or B:	10
Dimension 3 or C:	12.5
Height:	5