

REVISIONS			
SYM	ZONE	ECN, ERN NO.	DATE
B		PROPOSAL	DEC05/05
			LCHAN

AMPHENOL PART NUMBER: U E 2 7 - A S X 4 - X X X

SERIES
UE27=RECEPTACLE

TYPE
A=SERIES A

STYLE
S=STACKED RIGHT ANGLE PCB TAIL

CONTACT & SHIELD PLATING OPTION

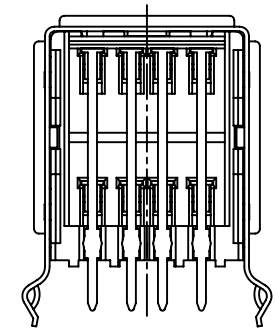
0= PBT HOUSING
H=HIGH TEMP HOUSING

SHIELDING OPTION
0=NO REAR SHIELD
3=WITH REAR SHIELD (SEE SHEET 2 OF 2)

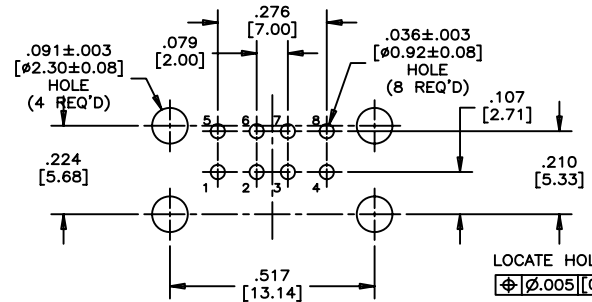
HOUSING COLOUR:
1=BLACK
2=BEIGE (AVAILABLE IS STANDARD TEMP ONLY)

NUMBER OF CONTACTS
4=4 CONTACTS

5=30 MICROINCHES [0.76 MICRONS] GOLD OVER NICKEL ON CONTACT MATING AREA.
100 MICROINCHES [2.54 MICRONS] TIN PLATING ON CONTACT TAILS.
7=GOLD FLASH OVER NICKEL ON CONTACT MATING AREA.
100 MICROINCHES [2.54 MICRONS] TIN PLATING ON CONTACT TAILS.



SHIELDING OPTION #0
WITHOUT REAR SHIELD



RECOMMENDED P.C.B. LAYOUT
COMPONENT SIDE OF BOARD

LOCATE HOLES
ø0.005 [0.13]
POSITION DIMENSIONS
ARE BASIC

MATERIAL -----	DRAWN	Chigow	DATE	DEC05/06
	DESIGNED			
FINISH -----	CHECKED	LCHAN	DATE	DEC05/06
	I. E. APPRD.			
	Q. A. APPRD.			
	DWG. APPRD.			
ENG. REL. NO.				
REF.	EAR12884			
DIMENSIONS ARE IN	mm	CODE ID. NO.	03554	

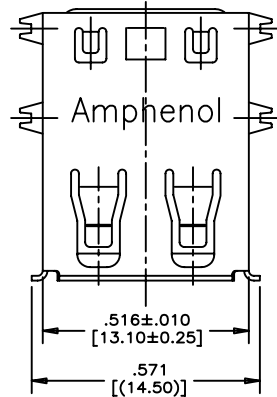
Amphenol Canada Corp.

TITLE UNIVERSAL SERIAL BUS (SERIES A)
RECEPTACLE, STACKED, 4 CONTACTS
PER PORT, RIGHT ANGLE PCB TAIL
RoHS COMPLIANT

DWG	DRAWING NO.	REV.
C	P-UE27-ASX4-XXX	B
SCALE	4/1	WT. -----
SURF.	-----	SHEET 1 OF 2

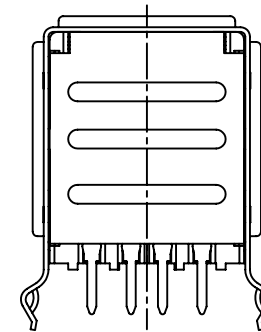
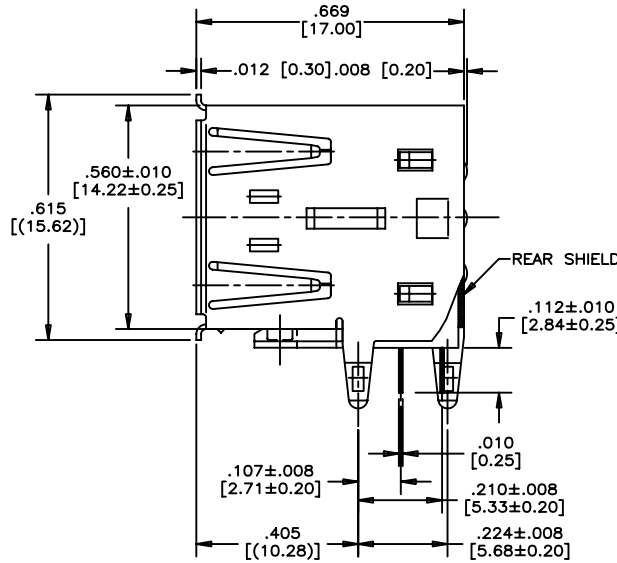
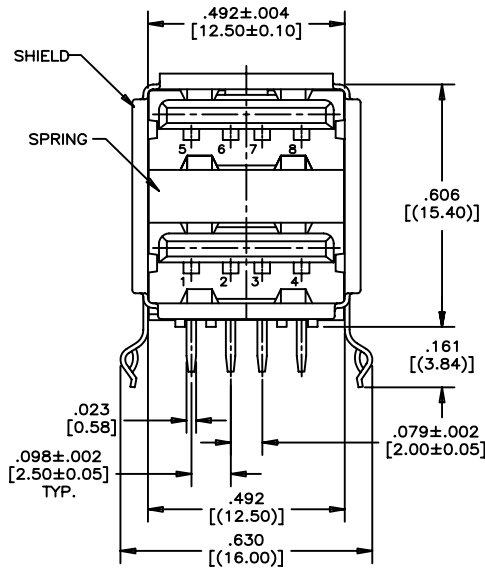
THIS DOCUMENT CONTAINS PROPRIETARY INFORMATION AND SUCH INFORMATION
MAY NOT BE DISCLOSED TO OTHERS FOR ANY PURPOSE OR USED FOR MANUFACTURING
PURPOSES WITHOUT WRITTEN PERMISSION FROM AMPHENOL CANADA CORP.

REVISIONS				
SYM	ZONE	ECN, ERN NO.	DATE	APPRD.
B		PROPOSAL	DEC05/05	LCHAN



NOTES:

- HOUSING: ENGINEERING THERMOPLASTIC, FLAMMABILITY UL94V-0.
- CONTACTS: COPPER ALLOY. CONTACT PLATING AS FOLLO: SEE AMPHENOL PART NUMBER SYSTEM FOR PLATING OPTIONS.
- SHELL: COPPER ALLOY. PLATING: NICKEL OVER COPPER UNDERPLATE.
- REAR SHELL: STEEL, NICKEL PLATED.
- SPRING: PHOSPHOR BRONZE, NICKEL PLATED.



SHIELDING OPTION #3 WITH REAR SHIELD

(ONE REAR METAL BOARDLOCK REMOVED FOR CLARITY)

THIS DOCUMENT CONTAINS PROPRIETARY INFORMATION AND SUCH INFORMATION MAY NOT BE DISCLOSED TO OTHERS FOR ANY PURPOSE OR USED FOR MANUFACTURING PURPOSES WITHOUT WRITTEN PERMISSION FROM AMPHENOL CANADA CORP.

MATERIAL	DRAWN	Chigow	DATE	DEC05/06	Amphenol Canada Corp.	
	DESIGNED					
FINISH	CHECKED	LCHAN	DATE	DEC05/06	TITLE	
	I. E. APPRD.					UNIVERSAL SERIAL BUS (SERIES A) RECEPTACLE, STACKED, 4 CONTACTS PER PORT, RIGHT ANGLE PCB TAIL RoHS COMPLIANT
	Q. A. APPRD.				DWG	
	DWG. APPRD.					DRAWING NO.
	ENG. REL. NO.				C	
	REF. EAR12884					P-UE27-ASX4-XXX
	DIMENSIONS ARE IN	mm	CODE ID. NO.	03554	SCALE	4/1
					WT.	-----
					SURF.	-----
					SHEET	2 OF 2
					REV.	B