

## Searches

[Part Information](#) | [Specifications](#) | [Line Drawings](#) | [Assembly Instructions](#)

### Quick Search

Search

### Global Part Search **NEW!**

Global Search

### Company Information

About Tuchel

Amphenol Corporate

Our Commitment

Terms & Conditions

Environmental Information

### Online Catalogs

Automotive Interconnect

Industrial Connectors

Search by Family

Search by Part

Process Info Request

Download Catalog

Smart Card Connectors

### Contact Information

Find a Sales Location

Distributors

Technical Support

Contact Us

Amphenol Corporation



## Part Information:



**Part Number:** T 3635 000

**Description:** Male cable connector, screwlocking straight, max. cable outlet 6mm, gold, solder, 12

**Family:** C091A



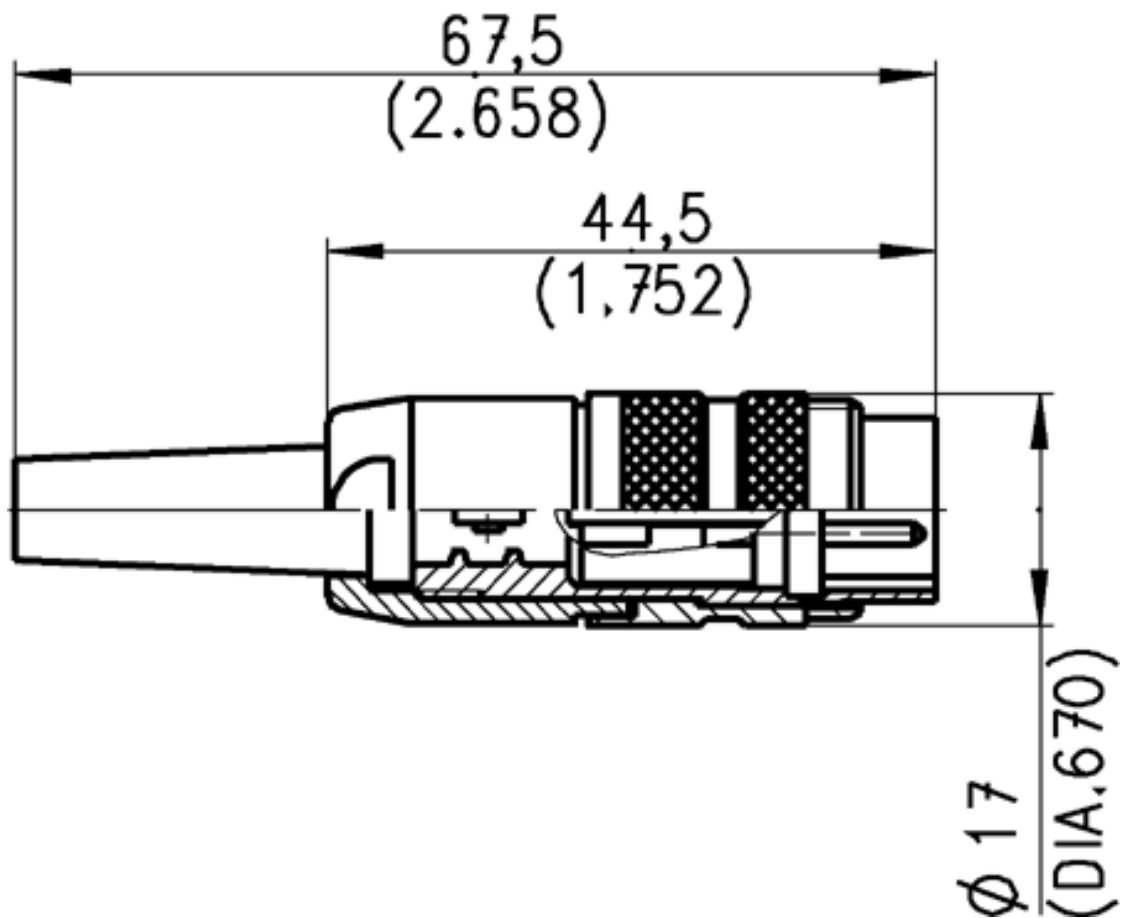
## Specifications

General	Standard	Characteristics
Number of contacts		12
View on termination side of contact insert		
Contact arrangement according to DIN		-
Contact arrangement according to IEC		-
<b>Electrical</b>		
Rated voltage	IEC 60664-1	150 V
Rated impulse withstand voltage	IEC 60664-1	1200 V
Pollution degree	IEC 60664-1	1
Installation category	IEC 60664-1	I
Insulation group	IEC 60664-1	3
Test voltage	IEC 60664-1	670 V
Current rating	IEC 60512-3 Test 5 b	3 A / +40°C/ _104°F
Insulation resistance	IEC 60512-2 Test 3 a	>10 <sup>12</sup> Ω
Contact resistance	IEC 60512-2 Test 2 a	<5 m Ω
<b>Climatical</b>		
Climatic category	IEC 60068-1	40 / 85 / 56
Temperature range	IEC 60068-1	-40°C ... +85°C/-40°F ... +185°F
<b>Mechanical</b>		
IP-degree	IEC 60529	IP 40
Insertion and withdrawal forces	IEC 60512-7 Test 13 b	50 N 180.oz
Mechanical operation	IEC 60512-5 Test 9 a	Silver ≥ 500 mating cycles Gold ≥ 1000 mating cycles
<b>Materials</b>		

Housing		die cast, nickel plated
Dielectric		thermoplastic
Contact plating		silver plated, gold plated
<b>Other Characteristics</b>		
Termination technique		solder
Wire gauge		≤ 0.25mm (24 AWG))
Flammability		UL 94 VO
Locking system	IEC 103-9	metal screw coupling

 **Line Drawings**

3360 001 N



 **Assembly Instructions**

