

## Searches

[Part Information](#) | [Specifications](#) | [Line Drawings](#) | [Panel Cutout](#)



### Part Information:

**Part Number:** T 3527 100

**Description:** Female receptacle, bayonet locking outside, metal shell, front mounting, silver, solder, 8 DIN

**Family:** C091B

Click below to add part to your request list.  
When you have finished browsing, click "Process Info Request" button.



### Specifications

General	Standard	Characteristics
Number of contacts		8
View on termination side of contact insert		
Contact arrangement according to DIN		41 326
Contact arrangement according to IEC		130-9

#### Quick Search

Global Part Search **NEW!**

Global Search

#### Company Information

About Tuchel

Amphenol Corporate

Our Commitment

Terms & Conditions

Environmental Information

#### Online Catalogs

Automotive Interconnect

Industrial Connectors

Search by Family

Search by Part

Process Info Request

Download Catalog

Smart Card Connectors

#### Contact Information

Find a Sales Location

Distributors

Technical Support

Contact Us

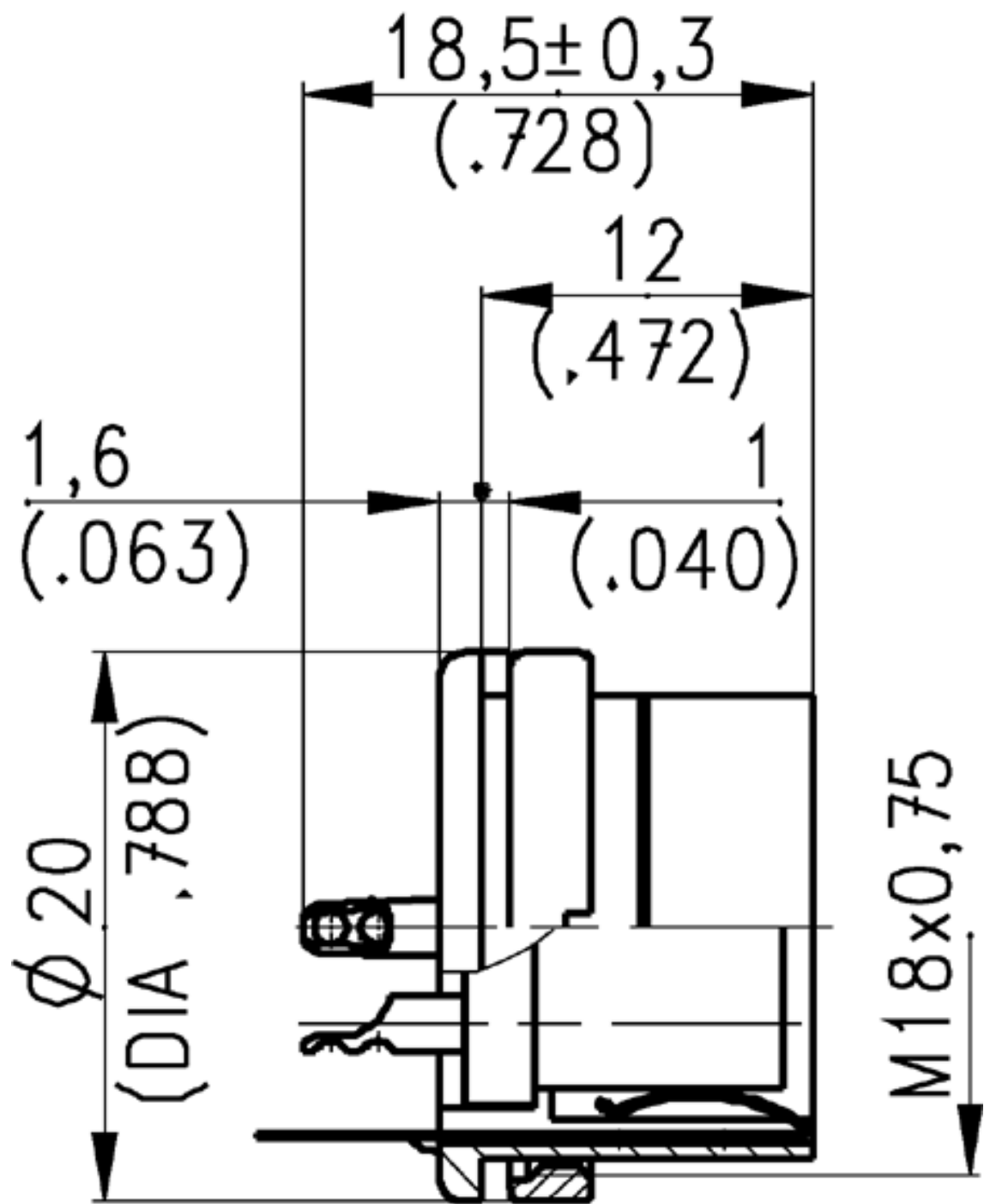
Amphenol Corporation

<b>Electrical</b>		
Rated voltage	IEC 60664-1	150 V
Rated impulse withstand voltage	IEC 60664-1	1200 V
Pollution degree	IEC 60664-1	1
Installation category	IEC 60664-1	I
Insulation group	IEC 60664-1	3
Test voltage	IEC 60664-1	670 V
Current rating	IEC 60512-3 Test 5 b	5 A / +40°C/ _104°F
Insulation resistance	IEC 60512-2 Test 3 a	>10 <sup>12</sup> Ω
Contact resistance	IEC 60512-2 Test 2 a	<5 m Ω
<b>Climatical</b>		
Climatic category	IEC 60068-1	40 / 85 / 56
Temperature range	IEC 60068-1	-40°C ... +85°C/-40°F ... +185°F
<b>Mechanical</b>		
IP-degree	IEC 60529	IP 40
Insertion and withdrawal forces	IEC 60512-7 Test 13 b	60 N 220.oz

Mechanical operation	IEC 60512-5 Test 9 a	Silver $\geq$ 500 mating cycles Gold $\geq$ 1000 mating cycles
<b>Materials</b>		
Housing		die cast, nickel plated
Dielectric		thermoplastic
Contact plating		silver plated, gold plated
<b>Other Characteristics</b>		
Termination technique		solder, crimp
Wire gauge		solder $\leq$ 0.5mm <sup>2</sup> (20-26 AWG) crimp 0.14-1.0mm <sup>2</sup> (26-18 AWG)
Flammability		UL 94 VO
Locking system		bayonet



**Line Drawings**



 Panel Cutout

