

Searches

[Part Information](#) | [Specifications](#) | [Line Drawings](#) | [Assembly Instructions](#)

Quick Search

Global Part Search **NEW!**

Global Search

Company Information

About Tuchel

Amphenol Corporate

Our Commitment

Terms & Conditions

Environmental Information

Online Catalogs

Automotive Interconnect

Industrial Connectors

Search by Family

Search by Part

Process Info Request

Download Catalog

Smart Card Connectors

Contact Information

Find a Sales Location

Distributors

Technical Support

Contact Us

Amphenol Corporation



Part Information:

Part Number: T 3378 501



Description: Female cable connector, bayonet locking outside, max. cable outlet 6mm, silver, solder, 5

Family: C091B

Click below to add part to your request list.
When you have finished browsing, click "Process Info Request" button.



Specifications

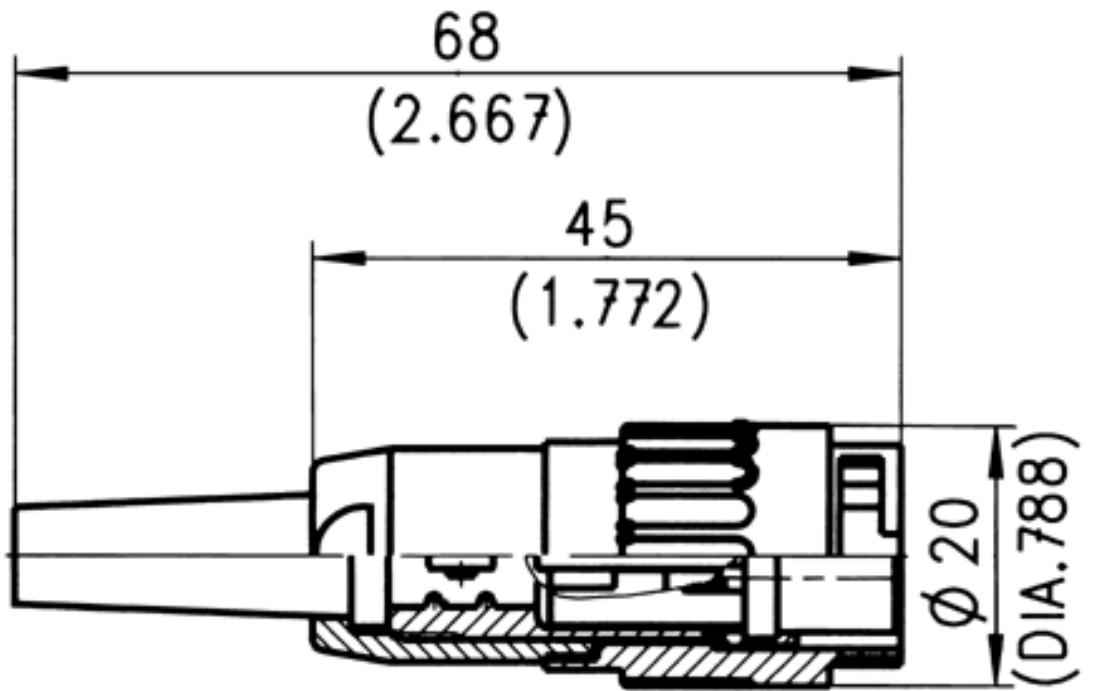
| General | Standard | Characteristics |
|--|----------|-----------------|
| Number of contacts | | 5 |
| View on termination side of contact insert | | |
| Contact arrangement according to DIN | | - |
| Contact arrangement according to IEC | | - |

| Electrical | | |
|---------------------------------|--------------------------|----------------------------------|
| Rated voltage | IEC 60664-1 | 300 V |
| Rated impulse withstand voltage | IEC 60664-1 | 1500 V |
| Pollution degree | IEC 60664-1 | 1 |
| Installation category | IEC 60664-1 | I |
| Insulation group | IEC 60664-1 | 3 |
| Test voltage | IEC 60664-1 | 908 V |
| Current rating | IEC 60512-3 Test 5 b | 5 A / +40°C/ _104°F |
| Insulation resistance | IEC 60512-2 Test 3 a | >10 ¹² Ω |
| Contact resistance | IEC 60512-2 Test 2 a | <5 m Ω |
| Climatical | | |
| Climatic category | IEC 60068-1 | 40 / 85 / 56 |
| Temperature range | IEC 60068-1 | -40°C ... +85°C/-40°F ... +185°F |
| Mechanical | | |
| IP-degree | IEC 60529 | IP 40 |
| Insertion and withdrawal forces | IEC 60512-7 Test 13 b | 35 N 125.oz |

| | | |
|------------------------------|-------------------------|---|
| Mechanical operation | IEC 60512-5 Test 9 a | Silver \geq 500 mating cycles Gold \geq 1000 mating cycles |
| Materials | | |
| Housing | | die cast, nickel plated |
| Dielectric | | thermoplastic |
| Contact plating | | silver plated, gold plated |
| Other Characteristics | | |
| Termination technique | | solder, crimp |
| Wire gauge | | solder \leq 0.5mm ² (20-26 AWG) crimp 0.14-1.0mm ² (26-18 AWG) |
| Flammability | | UL 94 VO |
| Locking system | | bayonet |



Line Drawings



TOP Assembly Instructions

