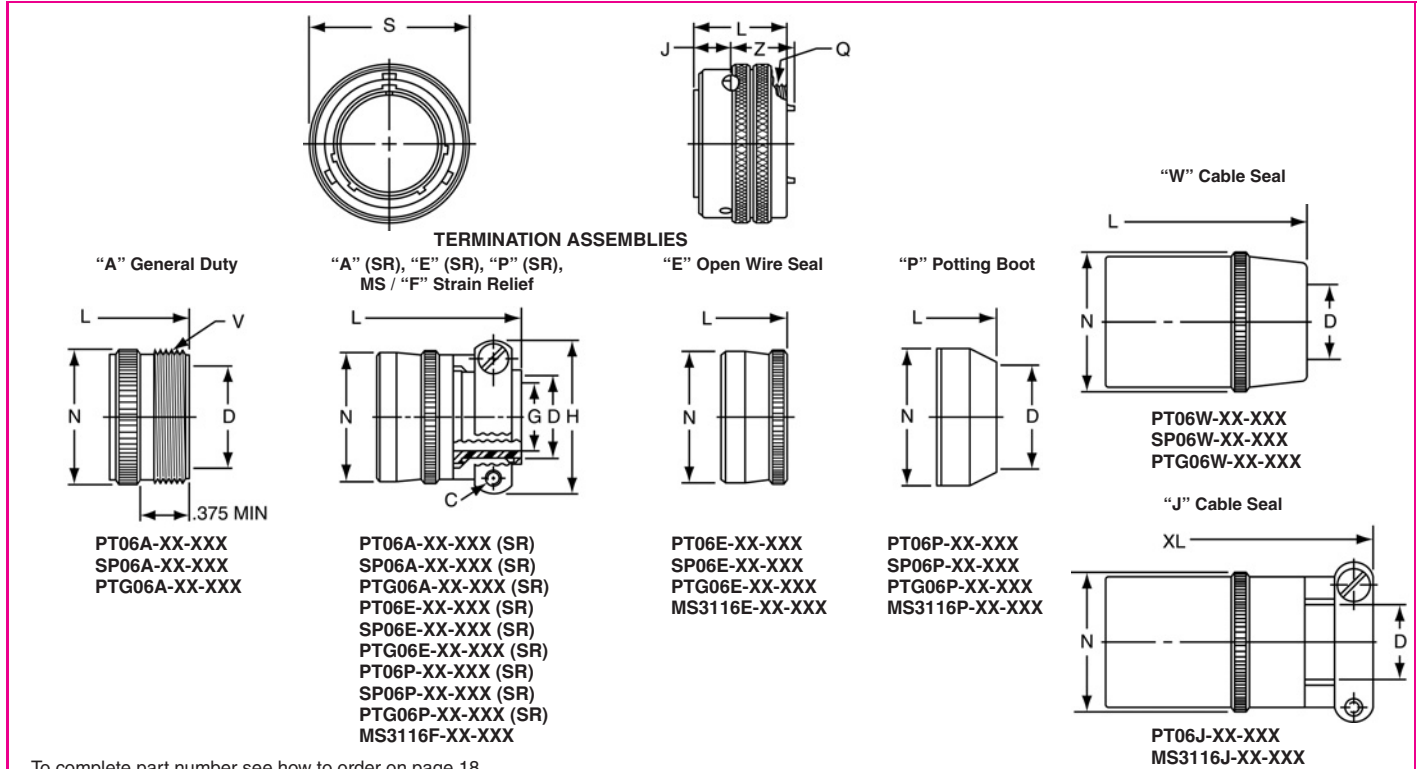


# PT06 (MS3116) SP06 straight plug



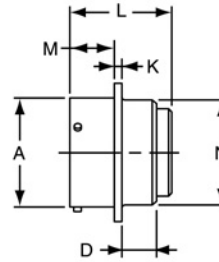
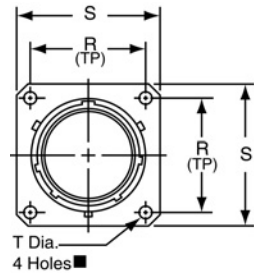
To complete part number see how to order on page 18.

| Shell Size | Plug Front View |      | Plug Side View |                   |        |        | Class "A" |        |                  |  |
|------------|-----------------|------|----------------|-------------------|--------|--------|-----------|--------|------------------|--|
|            | S Max.          | J    | L Max.         | Q Thread Class 2A | Z Max. | D Min. | L Max.    | N Max. | V Thread Class A |  |
| 6          | .625            | .353 | .906           | .3125-32 NEF      | .594   | .175   | 1.609     | .462   | .3750-32 NEF     |  |
| 8          | .750            | .353 | .906           | .4375-28 UNEF     | .594   | .297   | 1.609     | .590   | .5000-28 UNEF    |  |
| 10         | .859            | .353 | .906           | .5625-24 NEF      | .594   | .421   | 1.609     | .717   | .6250-24 NEF     |  |
| 12         | 1.013           | .353 | .906           | .6875-24 NEF      | .594   | .546   | 1.609     | .834   | .7500-20 UNEF    |  |
| 14         | 1.156           | .353 | .906           | .8125-20 UNEF     | .594   | .663   | 1.609     | .970   | .8750-20 UNEF    |  |
| 16         | 1.281           | .353 | .906           | .9375-20 UNEF     | .594   | .787   | 1.609     | 1.088  | 1.0000-20 UNEF   |  |
| 18         | 1.319           | .353 | .906           | 1.0625-18 NEF     | .594   | .879   | 1.609     | 1.216  | 1.1875-18 NEF    |  |
| 20         | 1.531           | .415 | 1.062          | 1.1875-18 NEF     | .672   | 1.014  | 1.656     | 1.332  | 1.1875-18 NEF    |  |
| 22         | 1.656           | .415 | 1.062          | 1.3125-18 NEF     | .672   | 1.135  | 1.656     | 1.460  | 1.4375-18 NEF    |  |
| 24*        | 1.776           | .415 | 1.125          | 1.4375-18 NEF     | .672   | 1.259  | 1.750     | 1.587  | 1.4375-18 NEF    |  |

| Shell Size | Class "A" (SR), "E" (SR), "P" (SR), MS / "F" |        |         |        |        |        | Class "E", MS / "E" |        |        | Class "P", MS / "P" |        |        | Class "W", "J" |        |        |         |
|------------|--|--------|---------|--------|--------|--------|---------------------|--------|--------|---------------------|--------|--------|----------------|--------|--------|---------|
|            | C Thread                                     | D Min. | G ±.010 | H Max. | L Max. | N Max. | L Max.              | N Max. | D Min. | L Max.              | N Max. | D      |                | L Max. | N Max. | XL Max. |
| 6          | —  | —      | —       | —      | —      | —      | 1.266               | .440   | .192   | 1.526               | .484   | Closed | Free           | —      | —      | —       |
| 8          | 6-32   | .240   | .125    | .812   | 1.906  | .550   | 1.266               | .560   | .317   | 1.526               | .608   | .168   | .230           | 1.705  | .547   | 2.271   |
| 10         | 6-32   | .302   | .188    | .875   | 1.906  | .675   | 1.266               | .685   | .434   | 1.526               | .734   | .205   | .312           | 1.705  | .675   | 2.271   |
| 12         | 6-32   | .428   | .312    | 1.000  | 1.906  | .803   | 1.266               | .813   | .548   | 1.526               | .858   | .338   | .442           | 1.848  | .812   | 2.411   |
| 14         | 6-32   | .552   | .375    | 1.125  | 1.906  | .920   | 1.266               | .930   | .673   | 1.526               | .984   | .416   | .539           | 2.040  | .940   | 2.599   |
| 16         | 6-32   | .615   | .500    | 1.188  | 2.047  | 1.047  | 1.266               | 1.057  | .798   | 1.526               | 1.110  | .550   | .616           | 2.256  | 1.067  | 2.943   |
| 18         | 8-32   | .740   | .625    | 1.438  | 2.078  | 1.165  | 1.266               | 1.175  | .899   | 1.526               | 1.234  | .600   | .672           | 2.486  | 1.194  | 3.172   |
| 20         | 8-32   | .740   | .625    | 1.438  | 2.250  | 1.290  | 1.438               | 1.301  | 1.024  | 1.546               | 1.360  | .635   | .747           | 2.844  | 1.322  | 3.610   |
| 22         | 8-32   | .928   | .750    | 1.625  | 2.250  | 1.418  | 1.438               | 1.430  | 1.149  | 1.546               | 1.484  | .670   | .846           | 3.000  | 1.449  | 3.766   |
| 24*        | 8-32   | .990   | .800    | 1.750  | 2.312  | 1.543  | 1.500               | 1.555  | 1.274  | 1.656               | 1.610  | .740   | .894           | 3.210  | 1.576  | 3.985   |

\* Available in PT06 only  
All dimensions for reference only.

# PT02 SE (MS3122) SP02 SE box mounting receptacle



PT02SE-XX-XXX  
SP02SE-XX-XXX  
MS3122E-XX-XXX

To complete part number see how to order on page 30.  
■ (MMC) located within .0025 of (TP)

| Shell Size | Receptacle Front View |       |        |       |              |      | Receptacle Side View |        |      |         |        |                |      |                     |
|------------|-----------------------|-------|--------|-------|--------------|------|----------------------|--------|------|---------|--------|----------------|------|---------------------|
|            | R                     |       | S Max. |       | T Dia. ±.005 |      | A Dia. +.001 - .005  | D Max. |      | K ±.016 | L Max. | M +.010 - .000 |      | N Dia. +.011 - .000 |
|            | PT                    | SP    | PT     | SP    | PT           | SP   |                      | PT     | SP   |         |        | PT             | SP   |                     |
| 8          | .594                  | -     | .828   | -     | .120         | -    | .473                 | .312   | -    | .062    | 1.296  | .431           | -    | .438                |
| 10         | .719                  | .812  | .954   | 1.141 | .120         | .150 | .590                 | .312   | .219 | .062    | 1.296  | .431           | .462 | .562                |
| 12         | .812                  | .938  | 1.047  | 1.266 | .120         | .150 | .750                 | .312   | .219 | .062    | 1.296  | .431           | .462 | .688                |
| 14         | .906                  | 1.031 | 1.141  | 1.360 | .120         | .150 | .875                 | .312   | .219 | .062    | 1.296  | .431           | .462 | .812                |
| 16         | .969                  | 1.125 | 1.234  | 1.453 | .120         | .150 | 1.000                | .312   | .219 | .062    | 1.296  | .431           | .462 | .938                |
| 18         | 1.062                 | 1.203 | 1.328  | 1.532 | .120         | .150 | 1.125                | .312   | .219 | .062    | 1.296  | .431           | .462 | 1.062               |
| 20         | 1.156                 | 1.297 | 1.453  | 1.688 | .120         | .150 | 1.250                | .406   | .344 | .094    | 1.358  | .556           | .556 | 1.188               |
| 22         | 1.250                 | 1.375 | 1.578  | 1.766 | .120         | .150 | 1.375                | .406   | .344 | .094    | 1.358  | .556           | .556 | 1.312               |
| 24         | 1.375                 | 1.500 | 1.703  | 1.891 | .147         | .150 | 1.500                | .406   | .344 | .094    | 1.358  | .589           | .589 | 1.438               |

All dimensions for reference only.