

IP67



Amphenol's MRJ series represents a unique and innovative RJ connector design. This design provides the ideal solution for Network data transfer in harsh and demanding environmental conditions. In addition, these connectors can be supplied with EMI and transient voltage protection capabilities. These RJs are water resistant (IP67) in both mated and unmated conditions. They are truly unshaken by hostile environmental elements.

Features

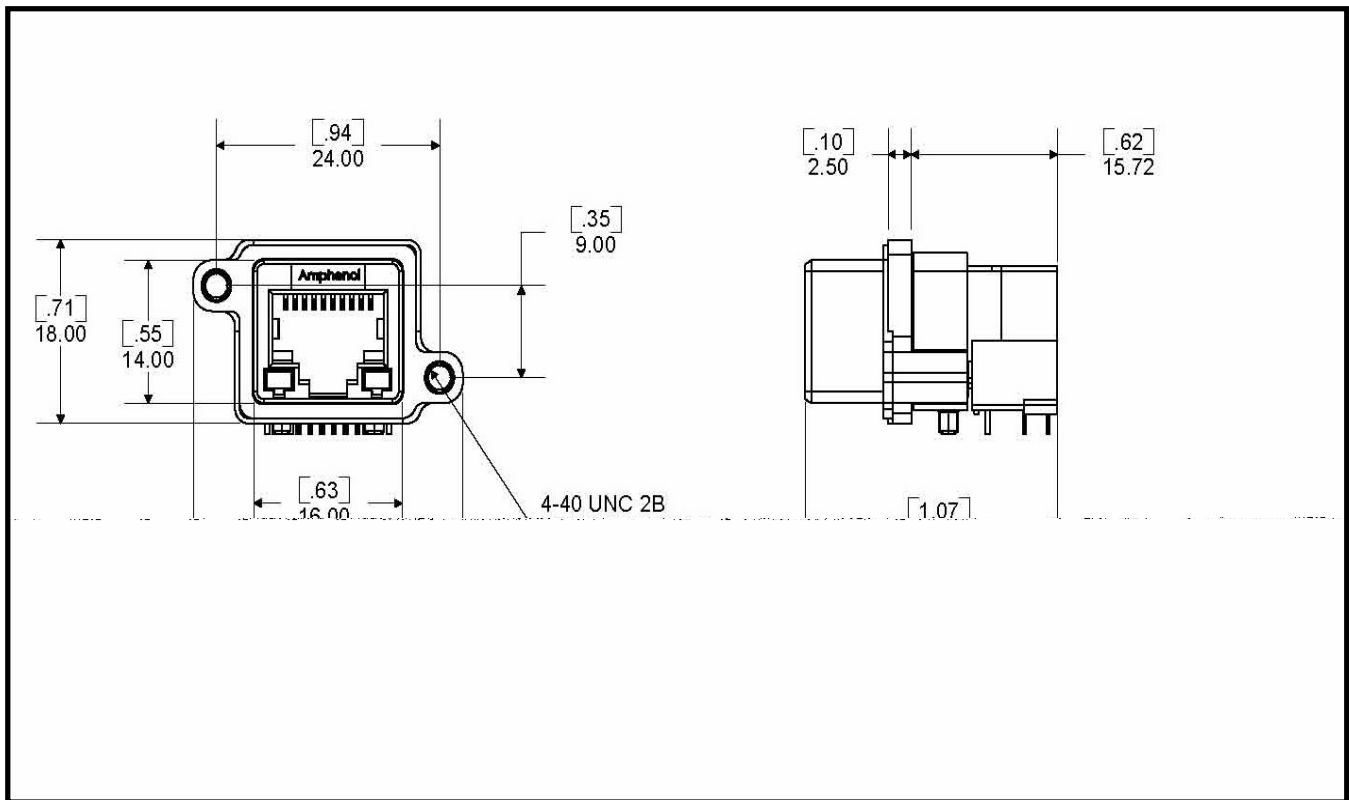
- Cat 5 Ethernet performance
- IP67 sealed in the mated and unmated conditions
- Meets military shock and vibration levels
- Available with optional integrated LEDs
- Available with various termination methods
- Available with EMI filtering and transient voltage protection
- All metal die cast outer shell construction
- Includes a feature that will not allow an RJ11 to enter.
- Will not allow an improperly terminated plug to enter.

Applications

- Industrial
- Military Communications
- Marine
- Mobile Communications
- Automotive

Technical Data

- Contact Resistance	30 milliohms maximum
- Insulation Resistance	50 megaohms minimum at 100 VDC
- Current Rating	1.5 Amps
- Voltage rating	100 VDC at -25° C to +85° C
- Dielectric Withstanding Voltage	500 VAC, RMS, 60 Hz 1 minute
- Storage Temperature	-40° C to +105° C
- Operating Temperature	-40° C to +105° C



Ordering Information

MRJ - X X X X - X X

Number of Ports
1 to 4

Versions
5 - Standard Receptacle
6 - Same as 5 with EMI Filter
7 - Same as 5 with Transient Voltage Protection

Number of Contacts
8 - 8 Contacts
A - 10 Contacts

Contact Tail Length
0 - 0.100"
A - 0.130"
B - 0.150"
C - 0.170"

Mounting
1 - Vertical Mount
3 - PCB Mount
5 - With Cable Header
7 - With RJ45
9 - With Terminal Block

LED Options
0 - No LEDs
1 - Yel, Grn
4 - Grn, Yel
5 - Grn, Grn

