

TECHNICAL DATA
" D " SUBMINIATURE CONNECTORS

SHELL : Steel ,
Finish : tinned

BODY : Glass filled thermoplastic .
Flame retardant to UL 94 V-0 .
Colour : black .

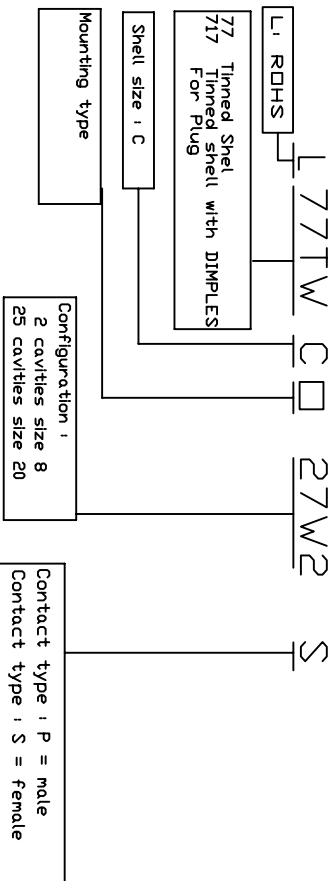
CONTACTS : Material for sockets : bronze
Material for pins brass
Finish of contact mating area :
15 µ" (0,4 µm) Gold over NICKEL

ELECTRICAL : Voltage rating 300 V Rms to 50Hz .
Nominal current 7,5 A (size20) 40 A (size 8)
Withstanding Voltage >1000 V Rms to 50 Hz
Contact resistance <5m Ohms .
Insulator resistance >5000 M Ohms

CLIMATIC : Temperature range -55Degreec up to +155Degree C
Damp heat 56 days (40 Degreec - 95 % HR)
Other climatic specifications in accordance
with NF C 93-425, sheet HE507

MECHANICAL : Insertion force per contact 1,2N < F < 2,5 N (size 20)
Extraction force per contact 0,4 N min. (size 20)
Mating and unmating force size A 150 N max. 11 N min..

MARKING : Amphenol -(series number)
Commercial reference
Manufacturing date



Creation plan	06/11	NIL0	Amphenol	ECHELLE : 1:1	PLAN NOTICE	DOSSIER : notice=17v
IND. MODIFICATION DATE	2003					
DESIGNATION						
№ SERIE	017F					