

/PLAN-2D/777TWB5W5P3Y

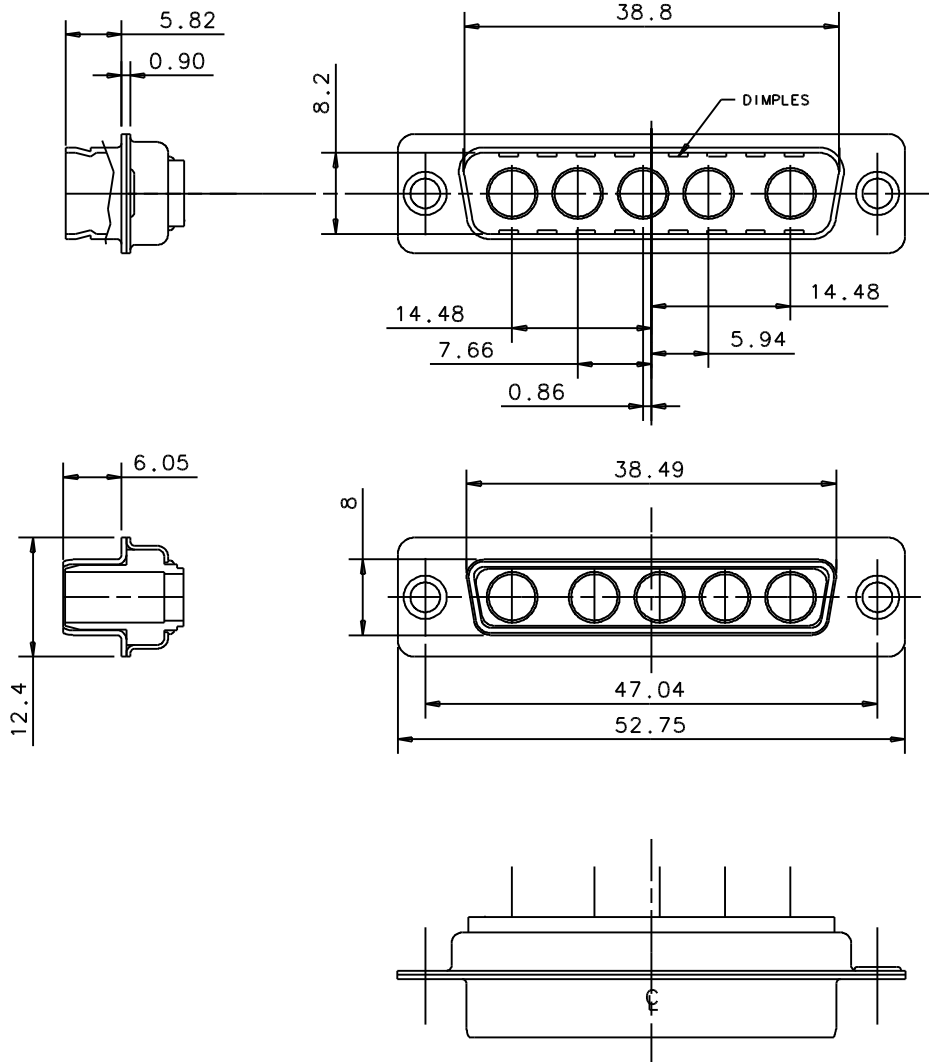
N CLIENT

N OUTIL

N ETUDE

17TW-006

DATE DU TIRAGE



### TECHNICAL DATA

#### '' D '' SUBMINIATURE CONNECTORS

SHELL : Steel .  
 finish : Tinned .

BODY : Glass filled thermoplastic  
 Flame retardant to UL 94 Vo  
 (resist to short term temperature 500°F 260C)  
 Colour : black .

ELECTRICAL : Voltage proof >1000 V Rms to 50Hz .  
 Contact resistance <5m Ohms .  
 Insulator resistance >5000 M Ohms .

CLIMATIC : Temperature range -67°F up to +255°F (-55°C +125°C)  
 Damp heart 56 days (105°F - 95 % RH ) ( 40°C )  
 Other climatic specifications in accordance  
 with NF C 93-425, sheet HE507 and MIL C 24-308 .

MECHANICAL : Mating and unmating force 83N max.

**L77TW B 5W5 S**

L77TW Tinned shells for receptacle  
 RoHS version  
 L717TW Tinned shells with dimples  
 for plug , RoHS version

Shell size : B

Mounting type  
 Without

Configuration : 5W5  
 5 cavities size B

Options:

Contact type : S = female  
 : P = male

Amphenol Socapex  
 Usine de Dole

ECHELLE 2 ENSEMBLE TW

Creation plan 28/05/99 Queve  
 IND. MODIFICATION DATE Execu/Approv



DOSSIER 17-notice

N SERIE 017F DESIGNATION

**L77TWB5W5S**

COMMUNICATION ET UTILISATION INTERDITES SAUF AUTORISATION