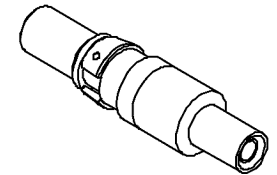
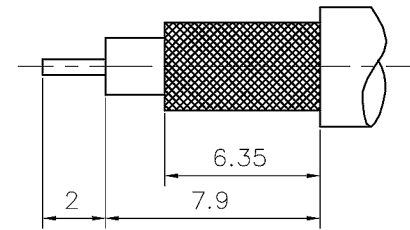
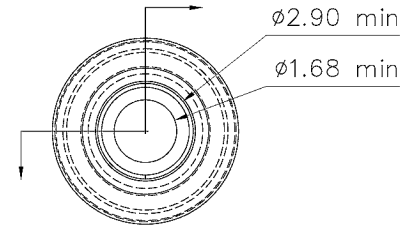
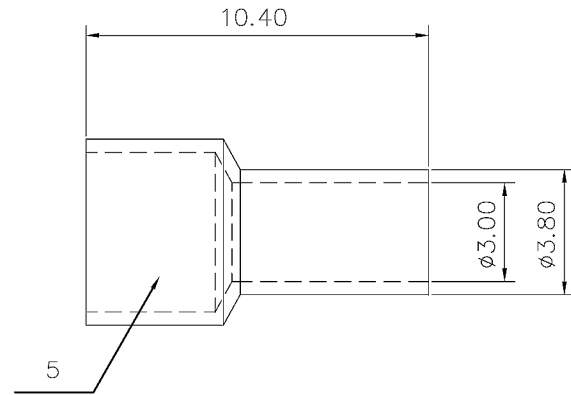
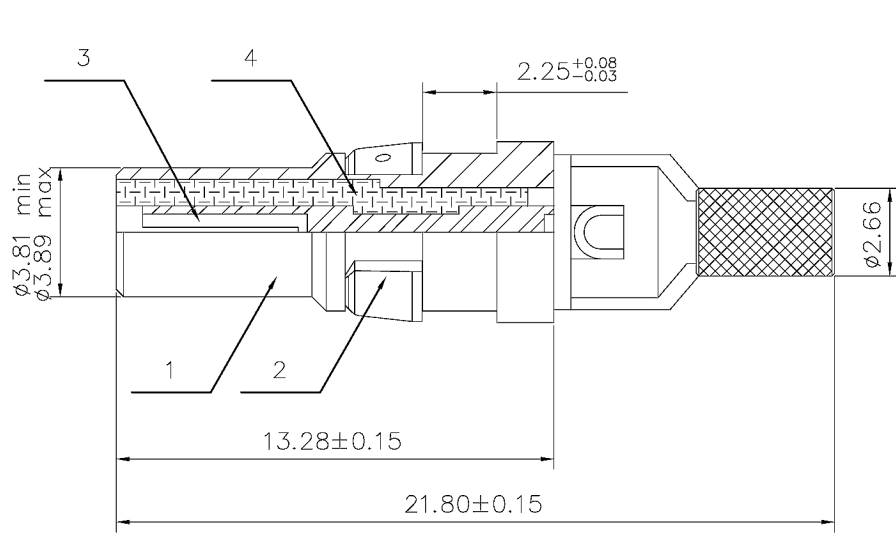


This document is the property of Amphenol Corporation and is delivered on the express condition that it is not to be disclosed, reproduced or used, in whole or in part, for manufacture or sale by anyone other than Amphenol Corporation without its prior consent, & that no right is granted to disclose or to use any information in this document.

# Customer drawing

REVISIONS			
SYM	ECN	DESCRIPTION	APPROVED
E		Release part drawing	IP



Trim cable

Notes:

- Commercial number is L17DM537401
- ELECTRICAL: Voltage rating 250 V Rms to 50 Hz  
Current rating 3A  
Withstanding Voltage >1000 V Rms  
Insulation resistance >1000 M Ohms  
Contact resistance: center contact 5.0 mOhms  
outer contact 3.0 mOhms.
- Cable RG: 179 B/U
- Ferrule crimp: 3.25/plats
- CLIMATIC: Temperature range -55 °C up to 125°C
- MARKING: Amphenol-...(Series No.)  
Manufacturing date  
Commercial reference

Sequence	Material	Remark
5	brass	0.2um min gold over 1.25-2.5um nickel
4	ferrule	Color white
3	Phosphor bronze	0.75um min gold over 1.25-2.5um nickel
2	thermoplastic	Color black
1	brass	0.2um min gold over 1.25-2.5um nickel

UNLESS OTHERWISE SPECIFIED TOLERANCES		APPROVAL		DATE
	U.S.	METRIC	DRAWN	DATE
.X	±	0.20	Lisa.peng	11/14/07
.XX	±	0.10	CHECKED	11/14/07
.XXX	±	0.05	CHECKED	
FRACTIONS	±			
ANGLES	±	2'		
FOR MATERIALS AND FINISHES SEE NOTES		DRAWING FILE :		
REMOVE SHARP EDGES		drawing\Deub\#W00210C-E		
DIMENSIONS		ANGLE OF PROJECTION		
U.S.	INCHES			
METRIC	MM			
		TITLE		
		Straight shielded contacts Crimp ferrule		
SIZE	DRAWING NO.	REV.		
A4	C L17DM53740-1	E		
SCALE	NONE	SHEET 1 OF 1		

