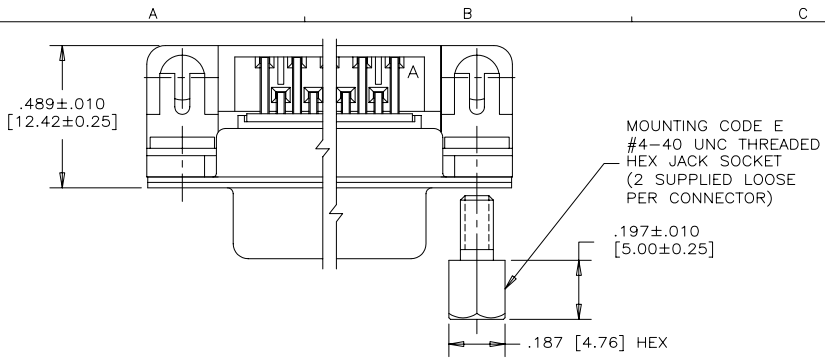


REVISIONS			
REV	ECN, ERN NO.	DATE	APPRD.
C	PRODUCT DRAWING (EAR 12900)	JAN26/06	K.L.



MOUNTING CODE E  
#4-40 UNC THREADED  
HEX JACK SOCKET  
(2 SUPPLIED LOOSE  
PER CONNECTOR)

ORDERING CODE: F C E 1 7 - E 0 9 P A - 4 4 0 G

SERIES  
FCE17=FILTERED D-SUB, RoHS

SIZE/NUMBER OF CONTACTS  
E09, A15, B25, OR C37

CONNECTOR STYLE  
P=PIN  
S=SOCKET

TERMINATION TYPE  
A=.318" [8.08] FOOTPRINT

CONTACT FINISH/GOLD THICKNESS  
NO DIGIT=STANDARD 15 MICRONS  
[0.38 MICRONS] GOLD ON  
MATING AREA  
G=50 MICRONS [1.27 MICRONS]  
GOLD ON MATING AREA

MODIFIER  
0=STANDARD

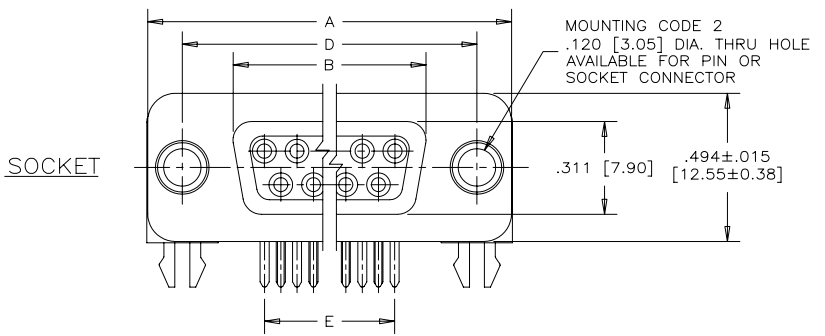
FILTER CAPACITANCE  
D=50 pF 7=1200 pF  
B=100 pF 6=1300 pF (PROPOSED)  
O=180 pF J=1500 pF  
F=330 pF E=2200 pF  
1=470 pF 9=5600 pF  
4=820 pF 8=47000 pF  
5=1000 pF N=NO FILTERS

REFER TO AMPHENOL CATALOGUE FOR  
FILTER PERFORMANCE CHARACTERISTICS

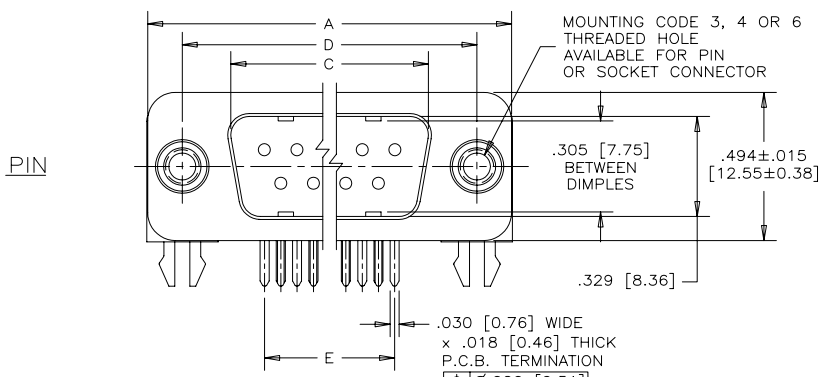
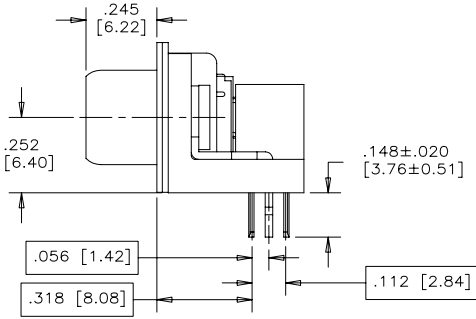
MOUNTING  
2=.120 [3.05] DIA THROUGH HOLE  
3=#4-40 UNC SELF-LOCKING THREAD  
4=#4-40 UNC THREAD  
6=M3 x 0.5 THREAD  
E=CODE 4 MOUNTING WITH #4-40  
UNC HEX JACK SOCKETS SUPPLIED.

**NOTES:**

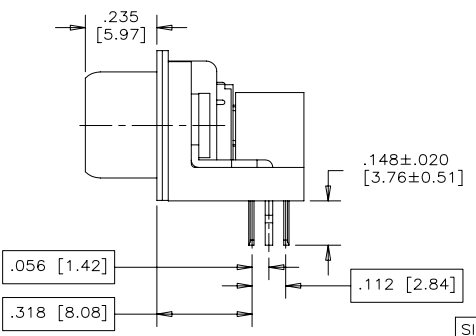
- MATERIALS: ALL MATERIALS ARE RoHS COMPLIANT.
  - SHELL: STEEL, TIN PLATED
  - CONTACTS: PHOSPHOR BRONZE, PLATED WITH GOLD OVER 50µ" [1.27 MICRONS] MINIMUM NICKEL IN THE MATING AREA AND 100µ" [2.54 MICRONS] MINIMUM MATTE TIN ON THE TAILS.
  - INSULATOR: ENGINEERING THERMOPLASTIC, GLASS REINFORCED, UL FLAMMABILITY RATING 94V-0, COLOUR: BLACK
  - BOARDLOCK: COPPER ALLOY, TIN PLATED
  - MOUNTING HARDWARE, STEEL OR COPPER ALLOY, TIN OR NICKEL PLATED.
- CONTACT RESISTANCE: 15 MILLIOHMS MAXIMUM
- INSULATION RESISTANCE: 3000 MEGOHMS MINIMUM
- CURRENT RATING: 5 AMPS MAXIMUM
- OPERATING TEMPERATURE: -40°C TO 85°C
- TOLERANCE UNLESS INDICATED OTHERWISE: ±.005 [0.13]



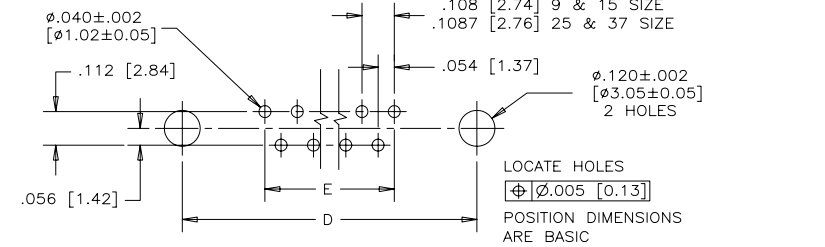
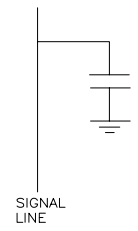
SOCKET



PIN



CAPACITANCE SCHEMATIC FOR EACH POSITION



RECOMMENDED P.C.B. LAYOUT  
(COMPONENT SIDE OF BOARD)

SIZE	STYLE	A±.015 [0.38]	B±.005 [0.13]	C±.005 [0.13]	D±.005 [0.13]	E BSC.
E09	PIN	1.213 [30.81]	-----	.666 [16.92]	.984 [24.99]	.432 [10.97]
	SOCKET		.643 [16.33]	-----		
A15	PIN	1.541 [39.14]	-----	.994 [25.25]	1.312 [33.32]	.756 [19.20]
	SOCKET		.971 [24.66]	-----		
B25	PIN	2.088 [53.04]	-----	1.534 [38.96]	1.852 [47.04]	1.304 [33.12]
	SOCKET		1.511 [38.38]	-----		
C37	PIN	2.729 [69.32]	-----	2.182 [55.42]	2.500 [63.50]	1.956 [49.68]
	SOCKET		2.159 [54.84]	-----		

DRAWN K. LAMBIE	DATE APR08/05
DESIGNED	
CHECKED	
I. E. APPRD.	
Q. A. APPRD.	
DWG. APPRD.	
ENG. REL. NO.	
REF. EAR #12701	
DIMENSIONS ARE IN INCHES [mm]	CODE ID. NO. 03554

**Amphenol Canada Corp.**  
FCE17 SERIES FILTERED D-SUB CONNECTOR,  
PIN & SOCKET, RIGHT ANGLE .318 [8.08] F/P,  
PLASTIC MOUNTING BRACKET & BOARDLOCK,  
RoHS COMPLIANT

DWG C	DRAWING NO. P-FCE17-XXXXA-XX0X	REV. C
SCALE 3/1	WT. -----	SURF. -----
SHEET 1 of 1		

THIS DOCUMENT CONTAINS PROPRIETARY INFORMATION AND SUCH INFORMATION MAY NOT BE DISCLOSED TO OTHERS FOR ANY PURPOSE OR USED FOR MANUFACTURING PURPOSES WITHOUT WRITTEN PERMISSION FROM AMPHENOL CANADA CORP.