



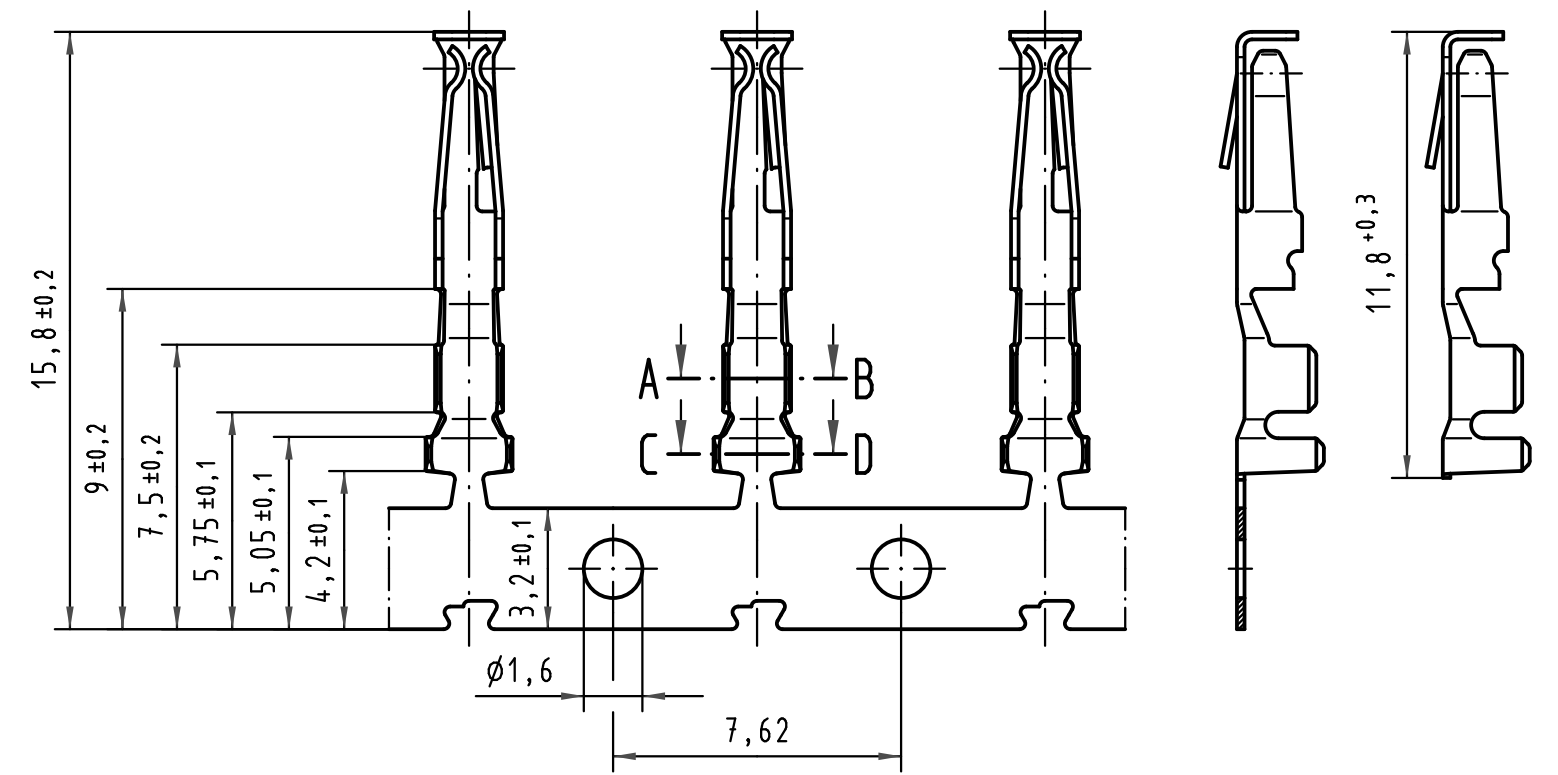
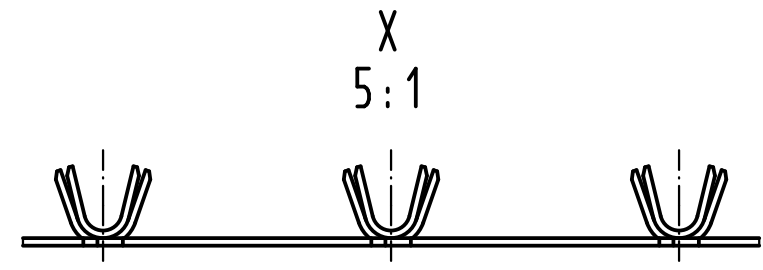
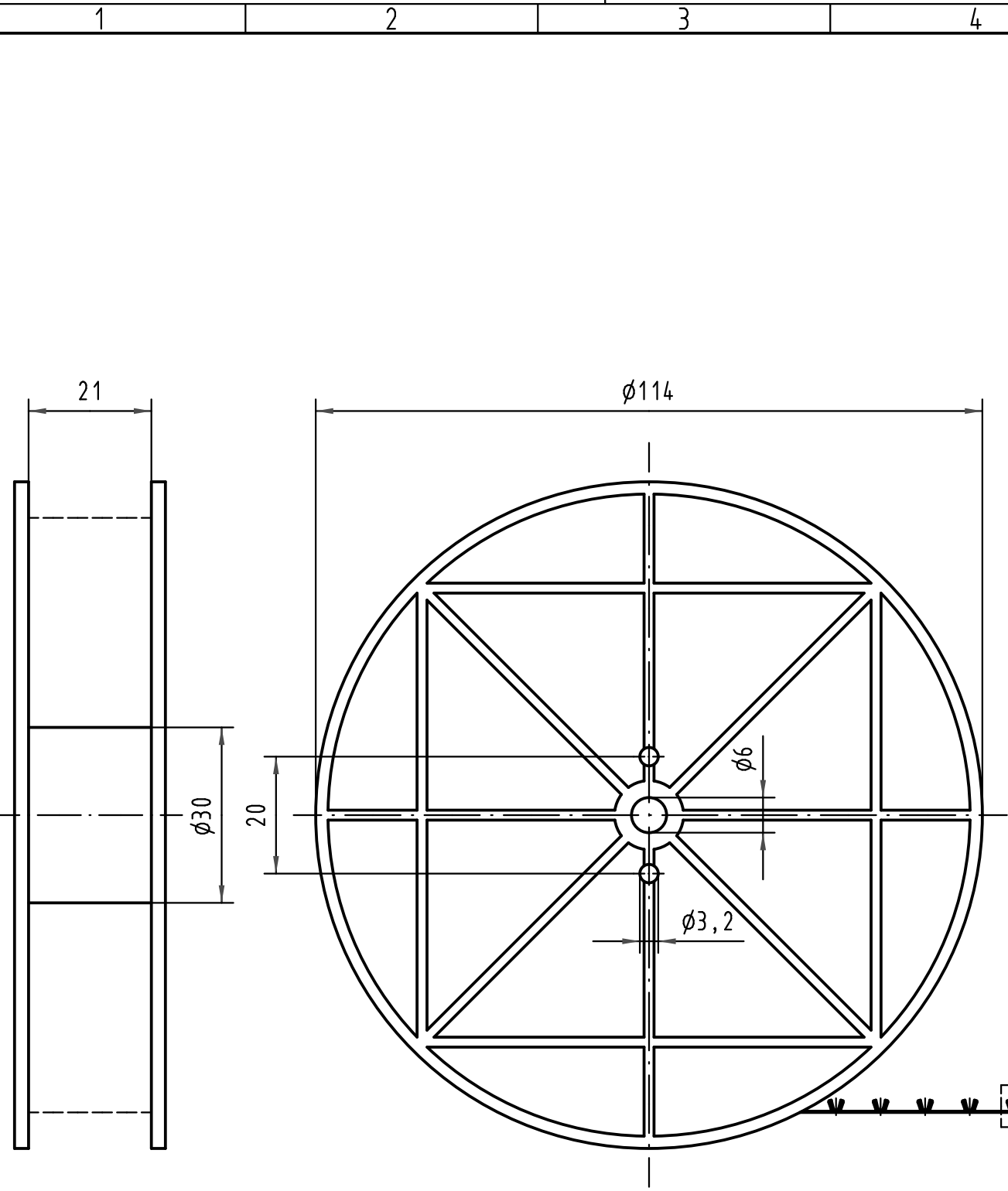
Product details

02 05 000 2502

Crimp contacts

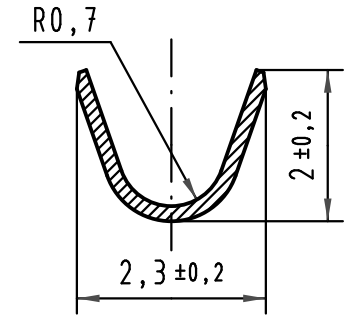
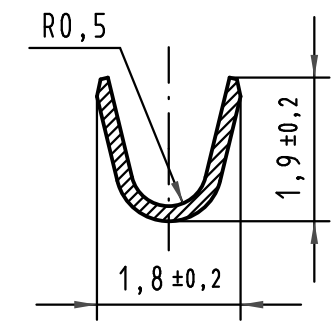
Contact gender	Female contacts
Wire gauge	Wire gauge: 0.14 - 0.56 mm ²
Performance Class	Performance level 1 as per IEC 61076-4-113
Packaging	Bandoliered contacts, approx. 500 pieces
Application	browsing..
Type	har-bus 64
RoHS compliant	Yes

Alle Rechte vorbehalten/ All rights reserved



A-B
20:1

C-D
20:1



All Dimensions in mm Original Size DIN A 3		Techn. Character.			Nicht tolerierte Maßel/Free size tolerances siehe / see ISO 2768-m	
			Dat.	Name	Maßstab/Scale 1:1 (5:1,20:1)	Crimpkontakt , 500 Stück pro Haspel Anforderungsstufe 2 , AWG 20-26 crimp-contact , 500 pcs. per reel performance level 2 , AWG 20-26
		Detail.	19.01.00	Rie.		
		Insp.	19.01.00	Pa.		
		Stand.				
34736	16.10.07	Hage.	HARTING Electronics GmbH & Co. KG D-32339 ESPELKAMP			TB 02 05 000 2502
26936						
Mod.	Dat.	Name				Sub.