

## Solutions for Electronic Specialty Markets (ESM)

### Product Catalog for Electronic Specialty Markets

- 3M™ Electronic Specialty Markets - New Product Releases
- 3M™ Abrasives
- 3M™ Adhesives, Cleaners & Compounds
- 3M™ Breadboards & Test Clips
- 3M™ Cable & Assemblies
- **3M™ Copper Interconnects**
- 3M™ Fiber Optics
- 3M™ Fire Protection
- 3M™ Heat Shrink
- 3M™ Identification Systems
- 3M™ Occupational Health & Safety Products
- 3M™ Protective Bumpers
- 3M™ Reclosable Fasteners
- 3M™ Splicing, Terminating & Ducting
- 3M™ Static Control
- 3M™ Tapes
- 3M™ Terminals, Kits & Tools
- 3M™ Vacuums & Accessories
- 3M™ Warehousing & Packaging Supplies
- 3M™ Wire Connectors

[Product Catalog for Electronic Specialty Markets](#) > [3M™ Copper Interconnects](#) > [Headers](#) > [Condo Header, .100" x .100" Right Angle, 4 Wall](#) >

### [Printer-friendly format](#) **3M™ .100 in. 4-Wall Condo Header, 100 Contacts, 3433-L303**



**.100" x .100" Right Angle, Standard, Long, Roll Pin Latch/Ejectors (3M Part# 3505-3), Solder tail for .094 to .125 [2.39 to 3.18] thick board.**

[\[click to enlarge\]](#)

GTIN(UPC/EAN) : 0 00 54007 74201 2  
3M Id : 80-6200-9116-7

### Additional Information

#### Learn More . . .

[Packaging Data](#)

[3M™ .100 in. 4-Wall Condo Hdr.,.100"x .100"RA, HighTemp,TS0774 - Data Sheet \(PDF 1.3 MB\)](#)

#### Please Note:

Adobe® Acrobat® Reader is required to view PDF documents.



### Characteristics

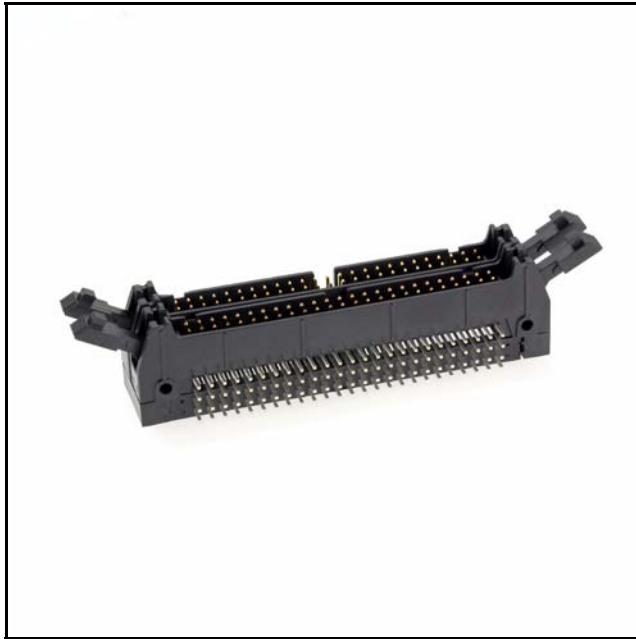
China RoHS - Below MCV	No
Contact Material	Copper Alloy
Contact Termination Area Plating	200 μ" [5.08 μm] 90/10 Tin/Lead
Contact Underplating	100 μ" [2.54 μm] Nickel
Contact Wiping Area Plating	30 μ" [0.76 μm] Gold
Current Rating	1 Ampere
EPC Can View	Public
EU RoHS Compliant	No
Insulation Color	Gray
Insulation Flammability Rating	UL 94V-0
Insulation Material	Glass Filled Polyester (PBT)
Insulation Resistance	>1 X 10 <sup>9</sup> Ohms @ 500 Vdc
Interface Grid	.100" x .100"

<b>Interface Style</b>	Header (Rectangular Plug)
<b>Latch/Ejector Type</b>	Long, Roll Pin Latch/Ejectors
<b>Markings</b>	3M Logo, Part Identification Number and Orientation Triangle
<b>Mounting Option</b>	None
<b>Non-Operating Temperature</b>	-55 to 105 Degree Celsius
<b>Number of Contact Rows</b>	4
<b>Number of Contacts</b>	50
<b>Number of Walls</b>	4
<b>Orientation</b>	Horizontal
<b>Pitch</b>	0.100 Inch
<b>Polarization</b>	None
<b>Primary Trademark Name</b>	3M
<b>Separable</b>	Yes
<b>Tail Length</b>	.155 Inch
<b>Termination Method</b>	Solder Tail
<b>Termination Style</b>	Printed Circuit Board
<b>Withstanding Voltage</b>	1000 Vrms at Sea Level

# 3M™ Four-Wall Condo Header

.100" × .100" Right Angle

3000 Series



- Stacked pins conserve space on the circuit board allowing higher density packaging
- Pin quantity to 128 gives design flexibility with latching
- "HDI" alternative
- Accepts standard IDC sockets
- Mates with standard flat cable harnesses
- Optional high temperature insulator suitable for "no lead" soldering operations
- High temperature option suitable for reflow soldering using "paste in hole" techniques
- See Regulatory Information Appendix for chemical compliance information

Date Modified: January 31, 2007

TS-0774-06  
Sheet 1 of 3

---

## Physical

### Insulator

Material: Glass Filled Polyester (PBT), Glass Filled Polyester (PCT) - High Temp. Option

Flammability: UL 94V-0

Color: Gray (PBT), Beige (PCT), Black (PCT)

### Contact

Material: Copper Alloy

### Plating

Underplating: 100  $\mu$ " [ 2.54  $\mu$ m ] Nickel - Overall

Wiping Area: 30  $\mu$ " [ 0.76  $\mu$ m ] Gold

Solder Tails: 200  $\mu$ " [ 5.08  $\mu$ m ] Tin Lead or Matte Tin (See Ordering Information)

Marking: 3M Logo, Part Identification Number and Orientation Triangle

---

## Electrical

Current Rating: 1 A

Insulation Resistance:  $>1 \times 10^9 \Omega$  at 500 V<sub>DC</sub>

Withstanding Voltage: 1000 V<sub>RMS</sub> at Sea Level

---

## Environmental

Temperature Rating: -55°C to +105°C

Process Rating: 260°C - (High Temp PCT insulator version), single pass, (profile per J-STD-020C) (PBT insulator version), maximum insulator temperature 191°C (solder wave process only)

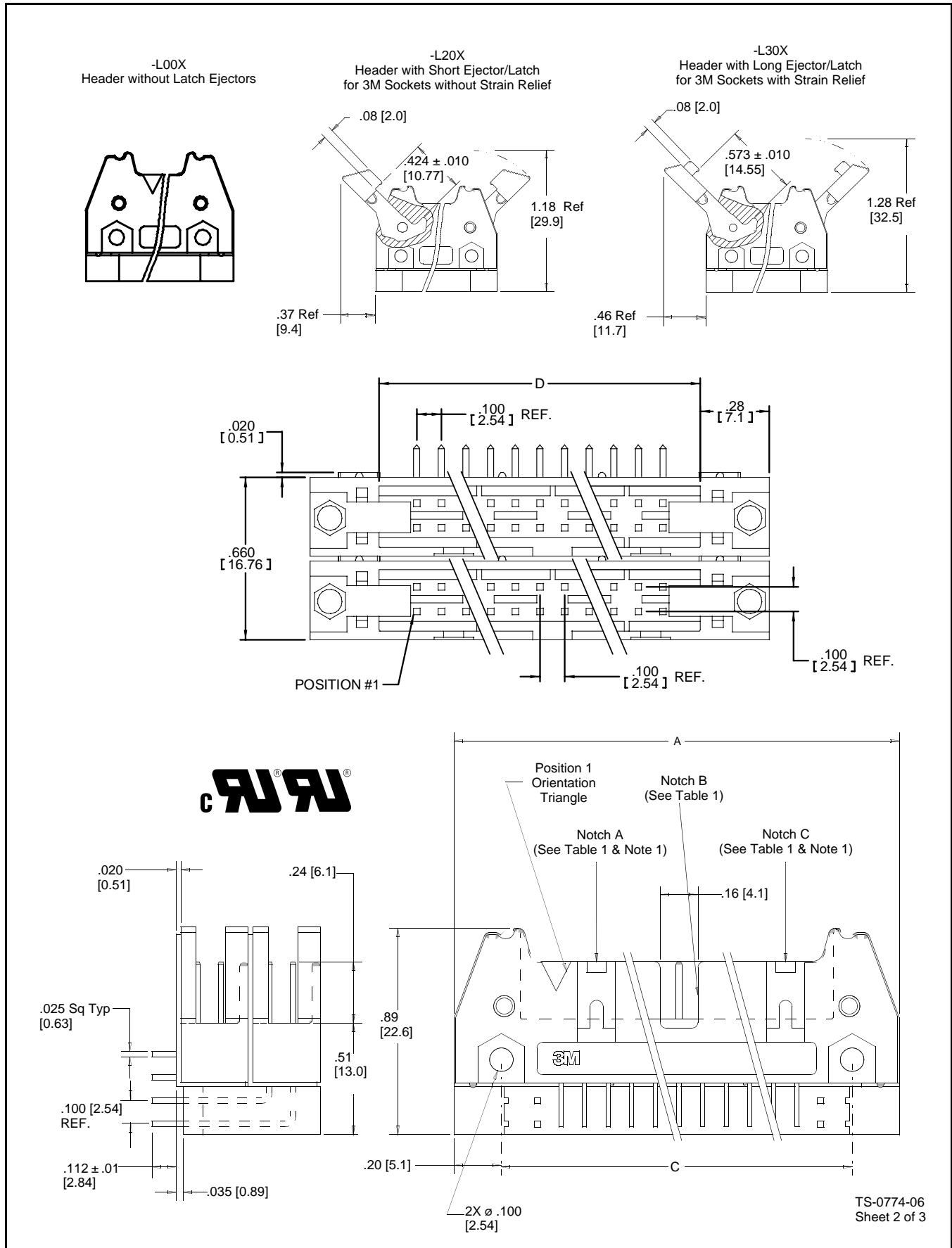
Moisture Sensitivity Level: 1 (per J-STD-020C) High Temp. (PCT) versions only

UL File No.: E68080

# 3M™ Four-Wall Condo Header

.100" × .100" Right Angle

3000 Series



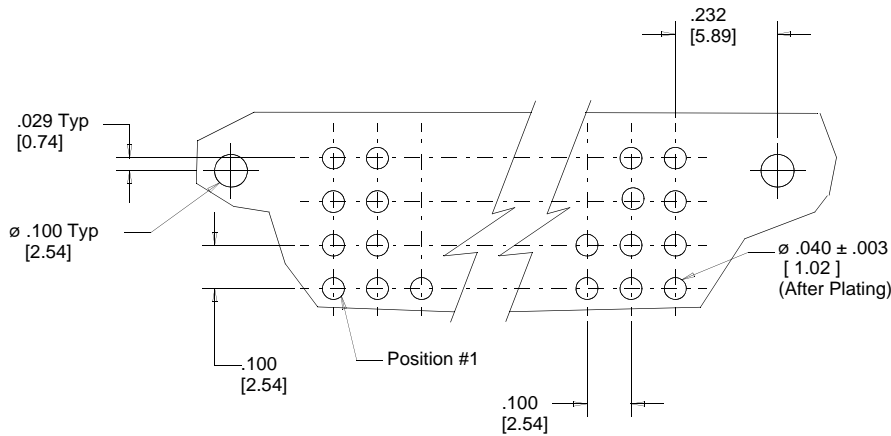
# 3M™ Four-Wall Condo Header

.100" × .100" Right Angle

3000 Series

Table 1

Pin Quantity	Part Number	Dimensions			Polarization Notches
		A	C	D	
20	3793	1.26 [32.1]	0.865 [21.97]	0.71 [18.0]	B C
28	3314	1.46 [37.2]	1.065 [27.05]	0.91 [23.1]	B C
32	3408	1.56 [39.7]	1.165 [29.59]	1.01 [25.6]	A B C
40	3428	1.76 [44.8]	1.365 [34.67]	1.21 [30.7]	A B C
48	3627	1.96 [49.9]	1.565 [39.75]	1.41 [35.8]	A B C
52	3429	2.06 [52.4]	1.665 [42.29]	1.51 [38.3]	A B C
60	3440	2.26 [57.5]	1.865 [47.37]	1.71 [43.4]	A B C
68	3431	2.46 [62.6]	2.065 [52.45]	1.91 [48.5]	A B C
80	3432	2.76 [70.2]	2.365 [60.07]	2.21 [56.1]	A B C
100	3433	3.26 [82.9]	2.865 [72.77]	2.71 [68.8]	A B C
120	3372	3.76 [95.6]	3.365 [85.47]	3.21 [81.5]	A B C
128	3764	3.96 [100.7]	3.565 [90.55]	3.41 [86.6]	A B C



**Recommended Hole Pattern**

**Notes:**

1. Notches A & C will accommodate 3M Polarizing Key (3M Part Number 3518 or N3518).
2. .112 [2.84] tail length suitable for .062 [1.57] thick pc board.
3. Contact your 3M sales representative for custom requirements.
4. Use of snap-in style latch/ejectors in either short (X3XXX-L502XX) or long (X3XXX-L602XX) styles, installed or shipped separately (-5 & -6 snap-in latches are dimensionally and functionally equivalent to the -2 & -3 roll pin latches)

If ordering Snap-In style latches separately, please use the below chart

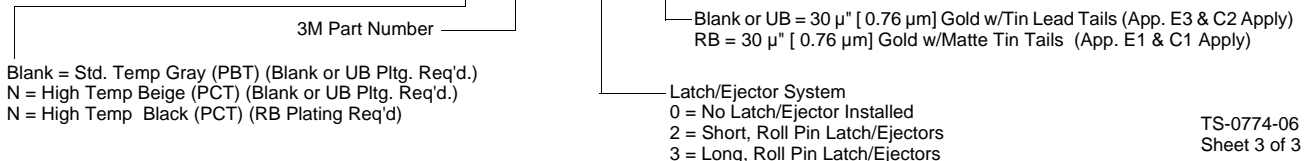
	Short Latch	Long Latch	Color
High Temp (PPA)	3505-30	3505-31	Gray
High Temp (PPA)	N3505-30	N3505-31	Beige
High Temp (PPA)	N3505-30B	N3505-31B	Black

Inch	Tolerance Unless Noted		
	.0	.00	.000
Inch	± .1	± .01	± .005

[ ] Dimensions for Reference only

## Ordering Information

### X3XXX-LX02XX



TS-0774-06  
Sheet 3 of 3