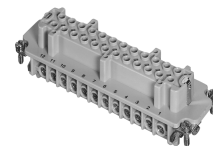


Connectors with iron-constantan contacts C 146 E FE/KO Female insert No. of contacts 24 + PE, 400 V

Part No. C146 10B024 810 1



Series Heavy duty connectors C 146

Abbildung stellvertretend für alle verfügbaren Polzahlen.

Subseries Heavy duty connector C 146 E FE/KO

COMMON CHARACTERISTICS		
No. of contacts		24 + PE
Weight male insert		105 g
Weight female insert		105 g
ELECTRICAL CHARACTERISTICS		
Rated voltage	DIN EN 60664-1 / IEC 60664-1	400 V
Rated impulse voltage	DIN EN 60664-1 / IEC 60664-1	6000V
Rated current at 40Å°C		10 A
Voltage proof	DIN EN 60512-2, Test 4a / IEC 60512-2, Test 4a	2.800 V
Installation category	DIN EN 60664-1 / IEC 60664-1	III
Insulation group	DIN EN 60664-1 / IEC 60664-1	III b
Insulation resistance	DIN EN 60512-2, Test 3a / IEC 60512-2, Test 3a	$\geq 10^{12}$
Contact resistance	DIN EN 60512-2, Test 2a / IEC 60512-2 Test 2a	< 10 m
Clearance (standard)	DIN EN 60664-1	IEC 60664-1
Creepage (standard)	DIN EN 60664-1	IEC 60664-1
Pollution degree	DIN EN 60664-1 / IEC 60664-1	3
CLIMATICAL CHARACTERISTICS		
Climatic category	DIN EN 60068-1 / IEC 60068-1	40 / 100 / 21
Upper temperature		+ 100 Å°C / 1000h
Lower temperatur		- 40 Å°C / 16h
MECHANICAL CHARACTERISTICS		
IP degree of protection	DIN EN 60529 / IEC 60529	IP20 mated
Insertion and withdrawal force	DIN EN 60512-13-2, Test 13b / IEC 60512-13-2, Test 13b	< 165 N
Mechanical lifetime	IEC 60512-5; Test 9 a	≥ 100 mating cycles
MATERIALS		
Contacts		Fe/Ko
Insert		PA
Colour		grey
FURTHER CHARACTERISTICS		
Termination		screw
Wire gauge		0,25 - 2,5 mmÅ²
Flammability	UL 94	V-0

Connectors with iron-constantan contacts C 146 E FE/KO Female insert No. of contacts 24 + PE, 400 V

Part No. C146 10B024 810 1

Series Heavy duty connectors C 146

Subseries Heavy duty connector C 146 E FE/KO

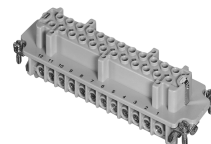
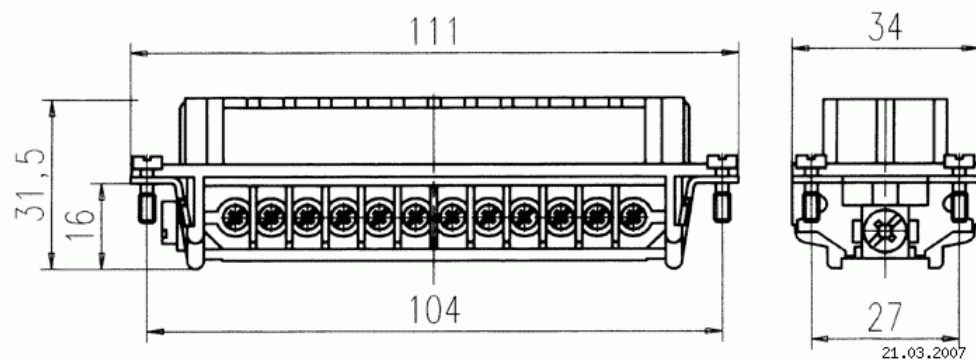


Abbildung stellvertretend für alle verfügbaren Polzahlen.



Maßzeichnung Dimensions in mm (Inch)

Connectors with iron-constantan contacts C 146 E FE/KO Female insert No. of contacts 24 + PE, 400 V

Part No. C146 10B024 810 1

Series Heavy duty connectors C 146

Subseries Heavy duty connector C 146 E FE/KO

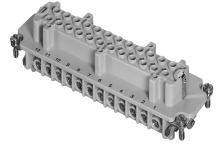
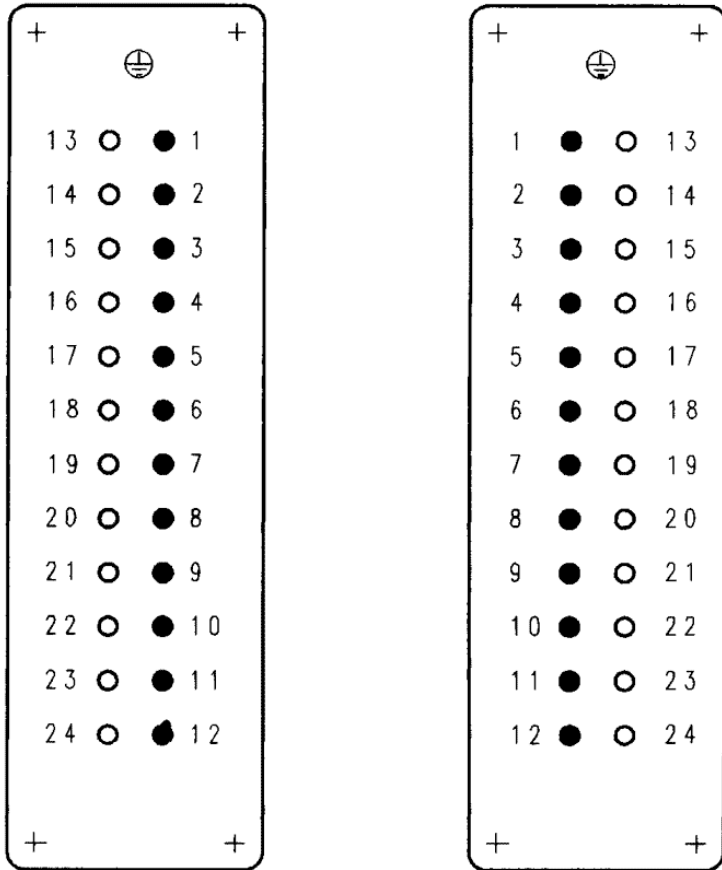


Abbildung stellvertretend für alle verfügbaren Polzahlen.



Contact arrangement