

Connectors C 146 E Male insert No. of contacts 10 + PE, 400 V, with wire protection

Part No. C146 10A010 102 1



Series Heavy duty connectors C 146

Abbildung stellvertretend für alle verfügbaren Polzahlen.

Subseries Heavy duty connector C 146 E

| COMMON CHARACTERISTICS | | |
|--------------------------------|--|--------------------------|
| No. of contacts | | 10 + PE |
| Weight male insert | | 39 g |
| Weight female insert | | 39 g |
| ELECTRICAL CHARACTERISTICS | | |
| Rated voltage | DIN EN 60664-1 / IEC 60664-1 | 400 V (600 V UL / CSA) |
| Rated impulse voltage | DIN EN 60664-1 / IEC 60664-1 | 6000V |
| Rated current at 40Å°C | | 19 A |
| Voltage proof | DIN EN 60512-2, Test 4a / IEC 60512-2, Test 4a | 2.800 V |
| Installation category | DIN EN 60664-1 / IEC 60664-1 | III |
| Insulation group | DIN EN 60664-1 / IEC 60664-1 | III b |
| Insulation resistance | DIN EN 60512-2, Test 3a / IEC 60512-2, Test 3a | $\geq 10^{12}$ |
| Contact resistance | DIN EN 60512-2, Test 2a / IEC 60512-2 Test 2a | < 5 m |
| Clearance | DIN VDE 0627 | > 4,0 mm |
| Creepage | DIN VDE 0627 | > 6,3 mm |
| Current carrying capacity | DIN EN 60512-3, Test 5b / IEC 60512-2 Test 5b | see derating curves |
| Pollution degree | DIN EN 60664-1 / IEC 60664-1 | 3 |
| CLIMATIC CHARACTERISTICS | | |
| Climatic category | DIN EN 60068-1 / IEC 60068-1 | 40 / 125 / 21 |
| Upper temperature | | + 125 Å°C / 1000h |
| Lower temperatur | | - 40 Å°C / 16h |
| MECHANICAL CHARACTERISTICS | | |
| IP degree of protection | DIN EN 60529 / IEC 60529 | IP00 unmated |
| Insertion and withdrawal force | DIN EN 60512-13-2, Test 13b / IEC 60512-13-2, Test 13b | 40-50N |
| Mechanical lifetime | IEC 60512-5; Test 9 a | ≥ 500 mating cycles |
| MATERIALS | | |
| Insert | | PC GV |
| Colour | | grey |
| Contact plating | | silver plated |
| Knurled screw / Knurled nut | | CuZn |
| FURTHER CHARACTERISTICS | | |
| Termination | | screw |
| Wire gauge | | 0,25 - 2,5 mmÅ² |
| Flammability | UL 94 | V-0 |



400 V, 16 A



600 V, 10 A
E 63093



600 V, 15 A
48932

Connectors C 146 E Male insert No. of contacts 10 + PE, 400 V, with wire protection

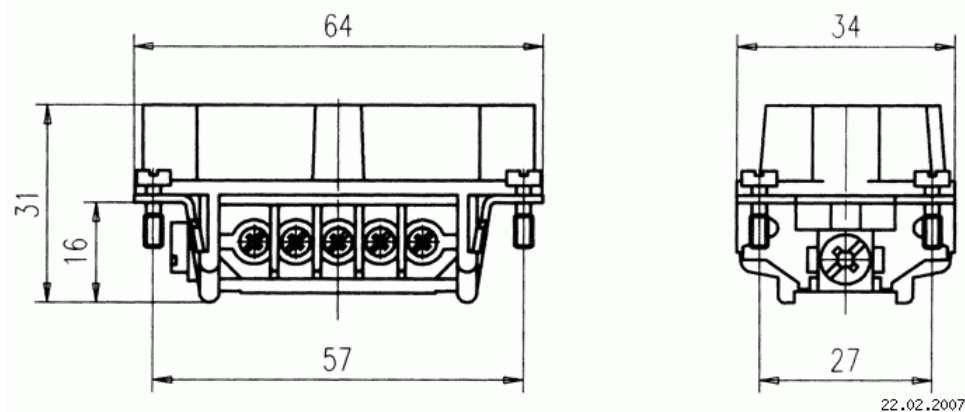
Part No. C146 10A010 102 1

Series Heavy duty connectors C 146

Subseries Heavy duty connector C 146 E



Abbildung stellvertretend für alle verfügbaren Polzahlen.



Maßzeichnung Dimensions in mm (Inch)

22.02.2007

Connectors C 146 E Male insert No. of contacts 10 + PE, 400 V, with wire protection

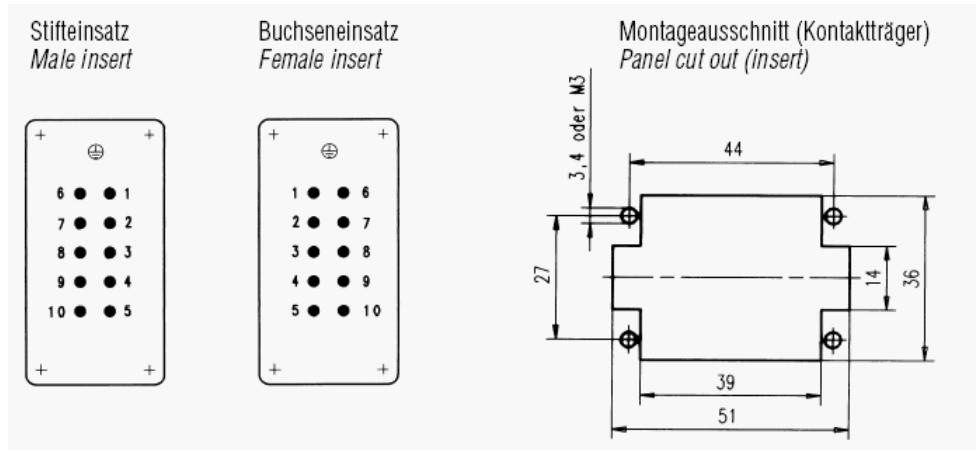
Part No. C146 10A010 102 1

Series Heavy duty connectors C 146

Subseries Heavy duty connector C 146 E



Abbildung stellvertretend für alle verfügbaren Polzahlen.



Contact arrangement