

Searches

[Part Information](#) | [Specifications](#) | [Line Drawings](#) | [Assembly Instructions](#) | [Panel Cutout](#)

Quick Search

Global Part Search **NEW!**

Global Search

- Company Information**
- About Tuchel
- Amphenol Corporate
- Our Commitment
- Terms & Conditions
- Environmental Information
- Online Catalogs**
- Automotive Interconnect
- Industrial Connectors** ▶
- Search by Family
- Search by Part** ●
- Process Info Request
- Download Catalog
- Smart Card Connectors
- Contact Information**
- Find a Sales Location
- Distributors
- Technical Support
- Contact Us
- Amphenol Corporation



Part Information:



Part Number: C091 31N005 100 2

Description: Female receptacle, front mounting, solder termination, silver, 5

Family: C091D



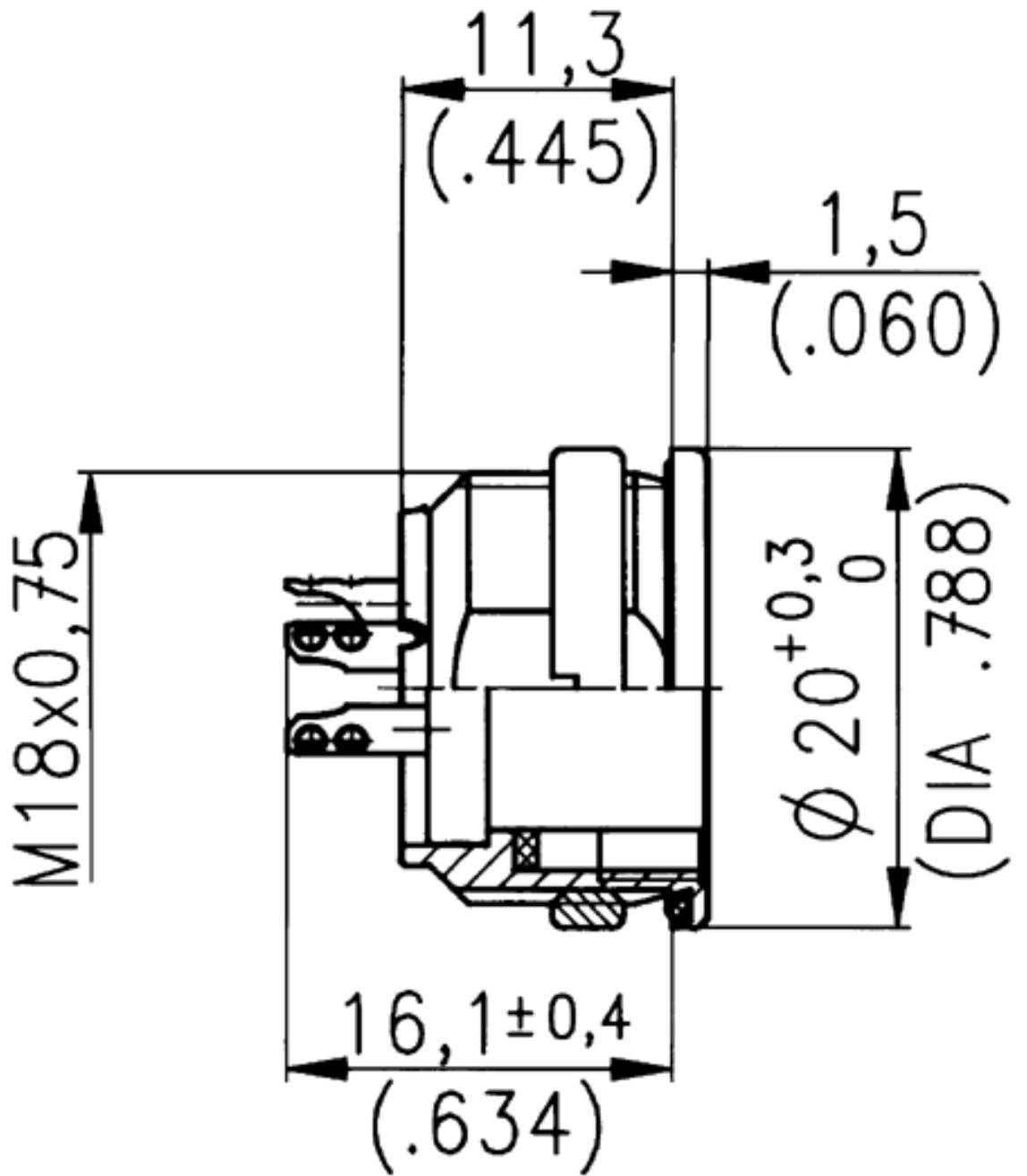
Specifications

General	Standard	Characteristics
Number of contacts		5
View on termination side of contact insert		
Contact arrangement according to DIN		-
Contact arrangement according to IEC		-
Electrical		
Rated voltage	IEC 60664-1	300 V
Rated impulse withstand voltage	IEC 60664-1	1500 V
Pollution degree	IEC 60664-1	1
Installation category	IEC 60664-1	I
Insulation group	IEC 60664-1	3
Test voltage	IEC 60664-1	908 V
Current rating	IEC 60512-3 Test 5 b	5 A / +40°C/ _104°F

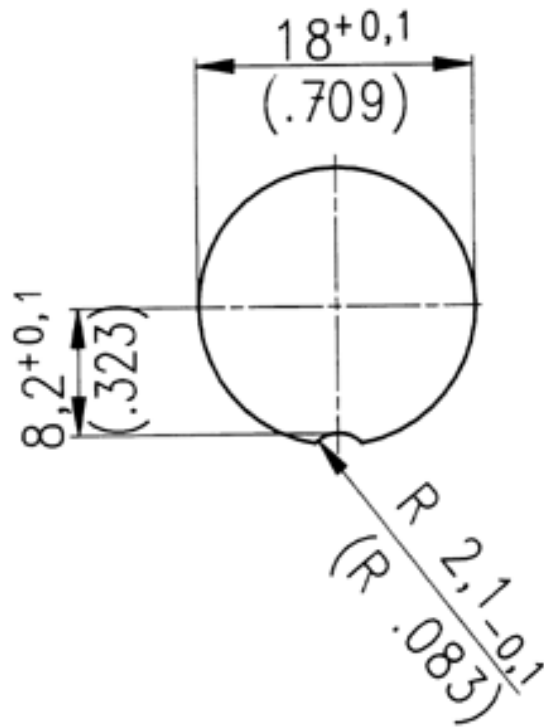
Insulation resistance	IEC 60512-2 Test 3 a	$>10^{12} \Omega$
Contact resistance	IEC 60512-2 Test 2 a	$<5 \text{ m} \Omega$
Climatical		
Climatic category	IEC 60068-1	40 / 85 / 56
Temperature range	IEC 60068-1	-40°C ... +85°C / -40°F ... +185°F
Mechanical		
IP-degree	IEC 60529	IP 67
Insertion and withdrawal forces	IEC 60512-7 Test 13 b	35 N 125.oz
Mechanical operation	IEC 60512-5 Test 9 a	Silver \geq 500 mating cycles Gold \geq 1000 mating cycles
Materials		
Housing		die cast, nickel plated
Dielectric		thermoplastic
Contact plating		silver plated, gold plated
Other Characteristics		
Termination technique		solder, crimp
Wire gauge		solder \leq 0.5mm ² (20-26 AWG) crimp 0.14-1.0mm ² (26-18 AWG)

Flammability		UL 94 VO
Locking system	IEC 103-9	metal screw coupling

 Line Drawings



TOP Panel Cutout



TOP Assembly Instructions

