



Searches

[Part Information](#) | [Specifications](#) | [Line Drawings](#) | [Assembly Instructions](#)

Quick Search

Search

Global Part Search **NEW!**

Global Search

Company Information

About Tuchel

Amphenol Corporate

Our Commitment

Terms & Conditions

Environmental Information

Online Catalogs

Automotive Interconnect

Industrial Connectors ▶

Search by Family

Search by Part ●

Process Info Request

Download Catalog

Smart Card Connectors

Contact Information

Find a Sales Location

Distributors

Technical Support

Contact Us

Amphenol Corporation



Part Information:



Part Number: C091 31H107 100 2

Description: Male cable connector, max. cable outlet 6mm, solder termination, silver, 7 DIN

Family: C091D



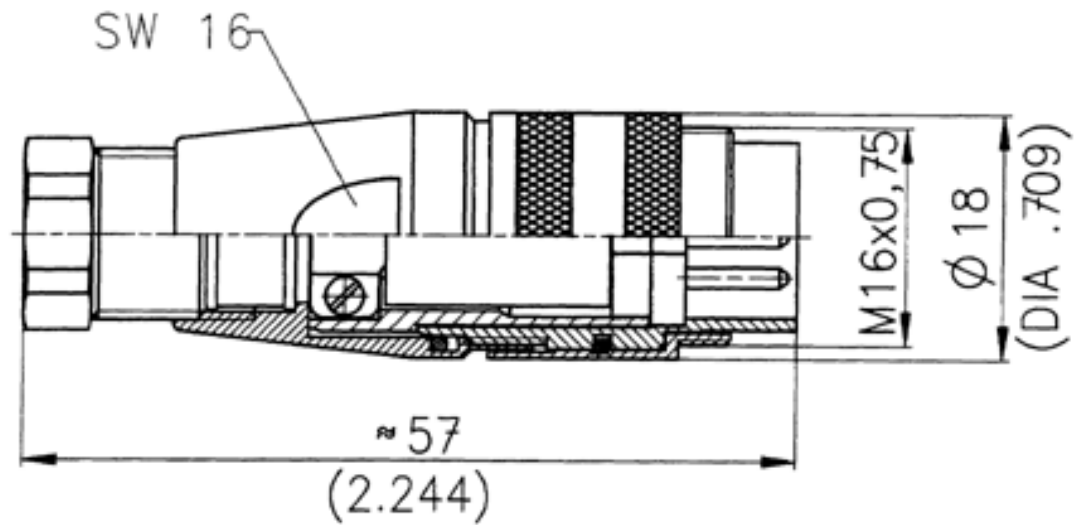
Specifications

| General | Standard | Characteristics |
|--|-------------------------|---------------------|
| Number of contacts | | 7 |
| View on termination side of contact insert | | |
| Contact arrangement according to DIN | | 41 329 |
| Contact arrangement according to IEC | | 130-9 |
| Electrical | | |
| Rated voltage | IEC 60664-1 | 150 V |
| Rated impulse withstand voltage | IEC 60664-1 | 1200 V |
| Pollution degree | IEC 60664-1 | 1 |
| Installation category | IEC 60664-1 | I |
| Insulation group | IEC 60664-1 | 3 |
| Test voltage | IEC 60664-1 | 670 V |
| Current rating | IEC 60512-3 Test 5 b | 5 A / +40°C/ _104°F |
| | | |

| | | |
|---------------------------------|--------------------------|--|
| Insulation resistance | IEC 60512-2 Test 3 a | $>10^{12} \Omega$ |
| Contact resistance | IEC 60512-2 Test 2 a | $<5 \text{ m} \Omega$ |
| Climatical | | |
| Climatic category | IEC 60068-1 | 40 / 85 / 56 |
| Temperature range | IEC 60068-1 | -40°C ... +85°C / -40°F ... +185°F |
| Mechanical | | |
| IP-degree | IEC 60529 | IP 67 |
| Insertion and withdrawal forces | IEC 60512-7 Test 13 b | 55 N 200.oz |
| Mechanical operation | IEC 60512-5 Test 9 a | Silver ≥ 500 mating cycles Gold ≥ 1000 mating cycles |
| Materials | | |
| Housing | | die cast, nickel plated |
| Dielectric | | thermoplastic |
| Contact plating | | silver plated, gold plated |
| Other Characteristics | | |
| Termination technique | | solder, crimp |
| Wire gauge | | solder $\leq 0.5\text{mm}^2$ (20-26 AWG) crimp $0.14\text{-}1.0\text{mm}^2$ (26-18 AWG) |

| | | |
|----------------|-----------|----------------------|
| Flammability | | UL 94 VO |
| Locking system | IEC 103-9 | metal screw coupling |

 **Line Drawings**



 **Assembly Instructions**

