

Searches

[Part Information](#) | [Specifications](#) | [Line Drawings](#) | [Assembly Instructions](#) | [Panel Cutout](#)

Quick Search

Global Part Search **NEW!**

Global Search

Company Information

About Tuchel

Amphenol Corporate

Our Commitment

Terms & Conditions

Environmental Information

Online Catalogs

Automotive Interconnect

Industrial Connectors

Search by Family

Search by Part

Process Info Request

Download Catalog

Smart Card Connectors

Contact Information

Find a Sales Location

Distributors

Technical Support

Contact Us

Amphenol Corporation



Part Information:



Part Number: C091 31G014 200 2

Description: Female receptacle, rear mounting, solder termination, gold, 14

Family: C091D

Click below to add part to your request list.
When you have finished browsing, click "Process Info Request" button.



Specifications

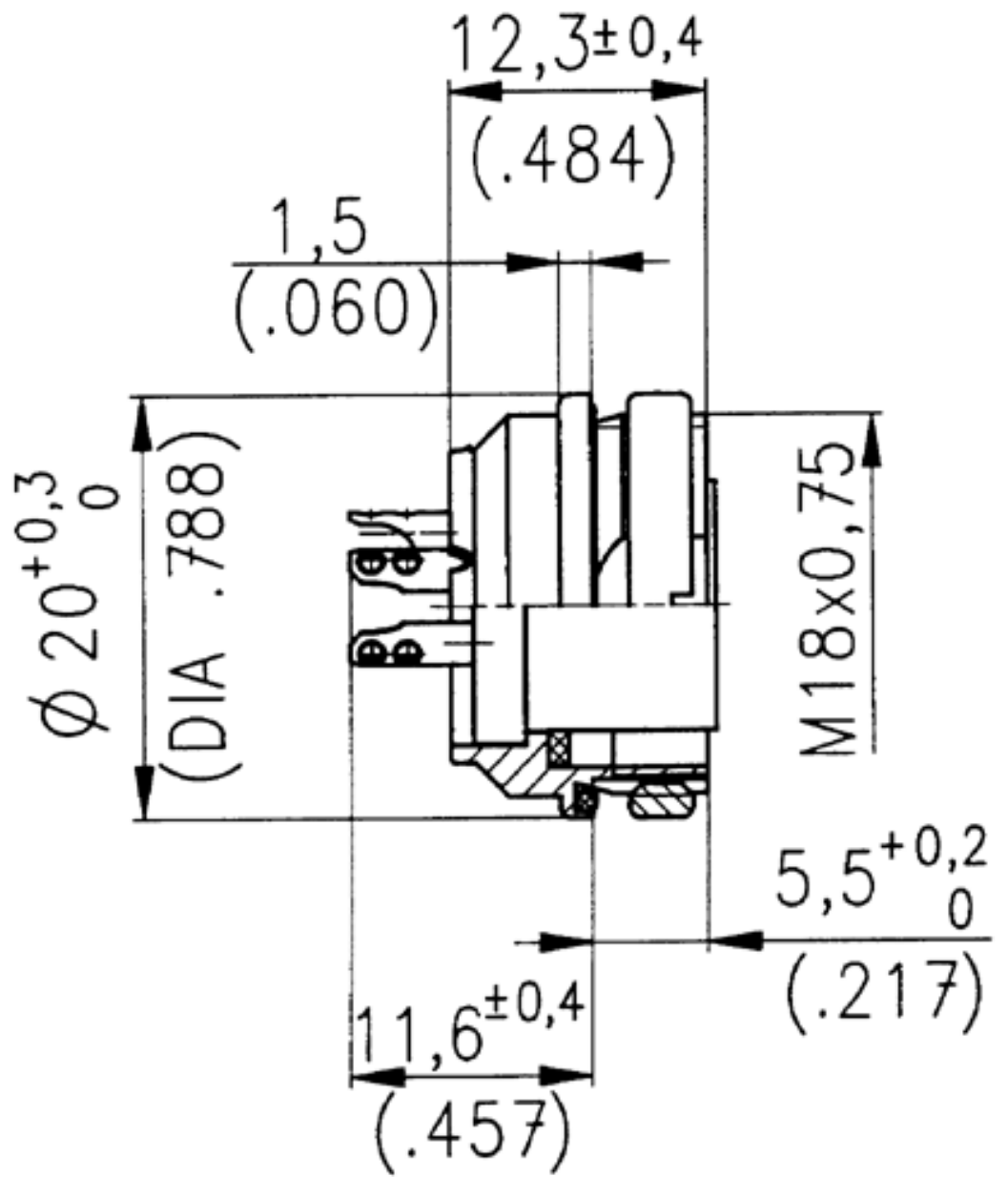
| General | Standard | Characteristics |
|--|----------|-----------------|
| Number of contacts | | 14 |
| View on termination side of contact insert | | |
| Contact arrangement according to DIN | | - |
| Contact arrangement according to IEC | | - |

| Electrical | | |
|---------------------------------|--------------------------|----------------------------------|
| Rated voltage | IEC 60664-1 | 150 V |
| Rated impulse withstand voltage | IEC 60664-1 | 1200 V |
| Pollution degree | IEC 60664-1 | 1 |
| Installation category | IEC 60664-1 | I |
| Insulation group | IEC 60664-1 | 3 |
| Test voltage | IEC 60664-1 | 670 V |
| Current rating | IEC 60512-3 Test 5 b | 3 A / +40°C/ _104°F |
| Insulation resistance | IEC 60512-2 Test 3 a | >10 ¹² Ω |
| Contact resistance | IEC 60512-2 Test 2 a | <5 m Ω |
| Climatical | | |
| Climatic category | IEC 60068-1 | 40 / 85 / 56 |
| Temperature range | IEC 60068-1 | -40°C ... +85°C/-40°F ... +185°F |
| Mechanical | | |
| IP-degree | IEC 60529 | IP 67 |
| Insertion and withdrawal forces | IEC 60512-7 Test 13 b | 50 N 180.oz |

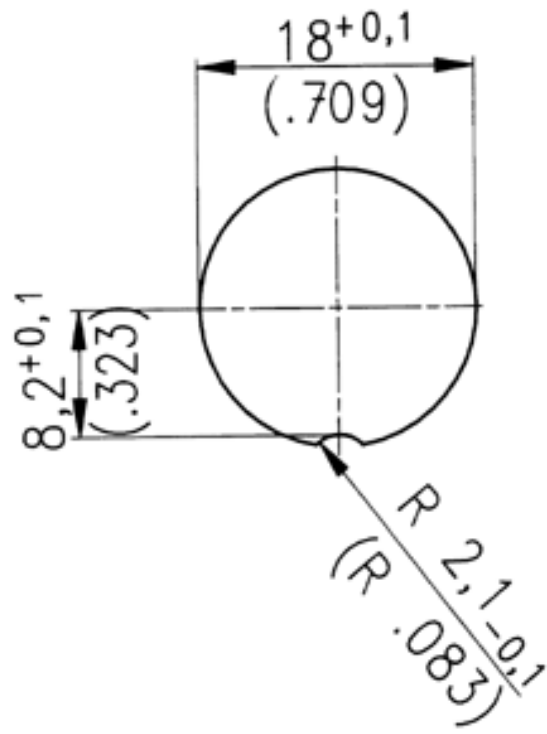
| | | |
|------------------------------|-------------------------|---|
| Mechanical operation | IEC 60512-5 Test 9 a | Silver \geq 500 mating cycles Gold \geq 1000 mating cycles |
| Materials | | |
| Housing | | die cast, nickel plated |
| Dielectric | | thermoplastic |
| Contact plating | | silver plated, gold plated |
| Other Characteristics | | |
| Termination technique | | solder |
| Wire gauge | | \leq 0.25mm (24 AWG)) |
| Flammability | | UL 94 VO |
| Locking system | IEC 103-9 | metal screw coupling |



Line Drawings



 Panel Cutout



 **Assembly Instructions**

