



## Searches

[Part Information](#) | [Specifications](#) | [Line Drawings](#) | [Assembly Instructions](#)

### Quick Search

Search

Global Part Search **NEW!**

Global Search

### Company Information

About Tuchel

Amphenol Corporate

Our Commitment

Terms & Conditions

Environmental Information

### Online Catalogs

Automotive Interconnect

Industrial Connectors ▶

Search by Family

Search by Part ●

Process Info Request

Download Catalog

Smart Card Connectors

### Contact Information

Find a Sales Location

Distributors

Technical Support

Contact Us

Amphenol Corporation



## Part Information:

**Part Number:** C091 31D008 100 2



**Description:** Female cable connector, max. cable outlet 6mm, solder termination, silver, 8 DIN

**Family:** C091D



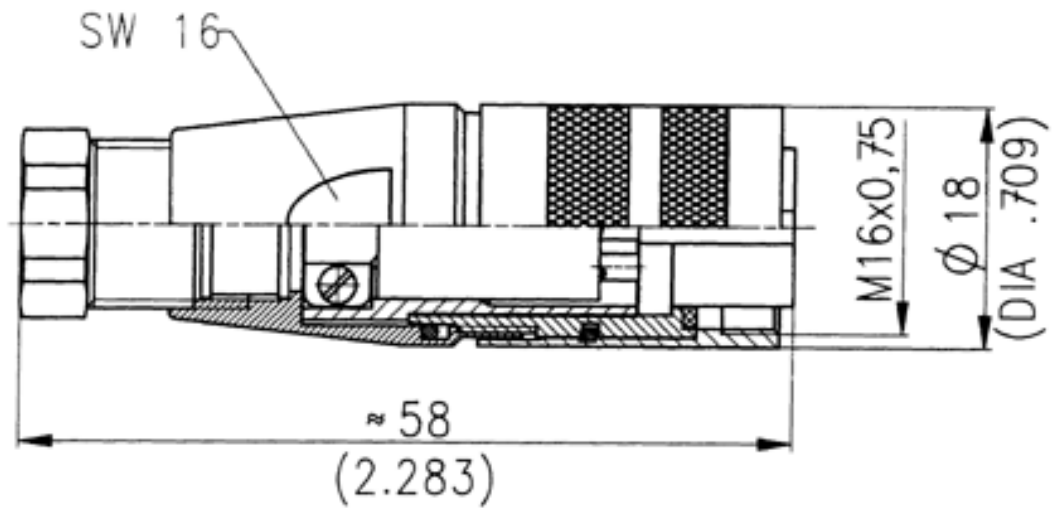
## Specifications

| General                                    | Standard                | Characteristics     |
|--|-------------------------|---------------------|
| Number of contacts                         |                         | 8                   |
| View on termination side of contact insert |                         |                     |
| Contact arrangement according to DIN       |                         | 41 326              |
| Contact arrangement according to IEC       |                         | 130-9               |
| <b>Electrical</b>                          |                         |                     |
| Rated voltage                              | IEC 60664-1             | 150 V               |
| Rated impulse withstand voltage            | IEC 60664-1             | 1200 V              |
| Pollution degree                           | IEC 60664-1             | 1                   |
| Installation category                      | IEC 60664-1             | I                   |
| Insulation group                           | IEC 60664-1             | 3                   |
| Test voltage                               | IEC 60664-1             | 670 V               |
| Current rating                             | IEC 60512-3<br>Test 5 b | 5 A / +40°C/ _104°F |
|  |                         |                     |

|                                 |                          |  |
|---------------------------------|--------------------------|--|
| Insulation resistance           | IEC 60512-2<br>Test 3 a  | >10 <sup>12</sup> Ω  |
| Contact resistance              | IEC 60512-2<br>Test 2 a  | <5 m Ω   |
| <b>Climatical</b>               |                          |  |
| Climatic category               | IEC 60068-1              | 40 / 85 / 56   |
| Temperature range               | IEC 60068-1              | -40°C ... +85°C/-40°F ... +185°F   |
| <b>Mechanical</b>               |                          |  |
| IP-degree                       | IEC 60529                | IP 67  |
| Insertion and withdrawal forces | IEC 60512-7<br>Test 13 b | 60 N<br>220.oz   |
| Mechanical operation            | IEC 60512-5<br>Test 9 a  | Silver ≥ 500 mating cycles<br>Gold ≥ 1000 mating cycles                              |
| <b>Materials</b>                |                          |  |
| Housing                         |                          | die cast, nickel plated  |
| Dielectric                      |                          | thermoplastic  |
| Contact plating                 |                          | silver plated, gold plated   |
| <b>Other Characteristics</b>    |                          |  |
| Termination technique           |                          | solder, crimp  |
| Wire gauge                      |                          | solder ≤ 0.5mm <sup>2</sup> (20-26 AWG)<br>crimp 0.14-1.0mm <sup>2</sup> (26-18 AWG) |

|                |           |                      |
|----------------|-----------|----------------------|
| Flammability   |           | UL 94 VO             |
| Locking system | IEC 103-9 | metal screw coupling |

 **Line Drawings**



 **Assembly Instructions**

