

## Searches

[Part Information](#) | [Specifications](#) | [Line Drawings](#) | [Panel Cutout](#)

### Quick Search

Global Part Search **NEW!**

Global Search

### Company Information

About Tuchel

Amphenol Corporate

Our Commitment

Terms & Conditions

Environmental Information

### Online Catalogs

Automotive Interconnect

Industrial Connectors ▶

Search by Family

Search by Part ●

Process Info Request

Download Catalog

Smart Card Connectors

### Contact Information

Find a Sales Location

Distributors

Technical Support

Contact Us

Amphenol Corporation



## Part Information:



**Part Number:** C016 10C014 000 1

**Description:** Male receptacle, flange mounting with mounted gasket, without contacts, 14+PE

**Family:** C16-3



## Specifications

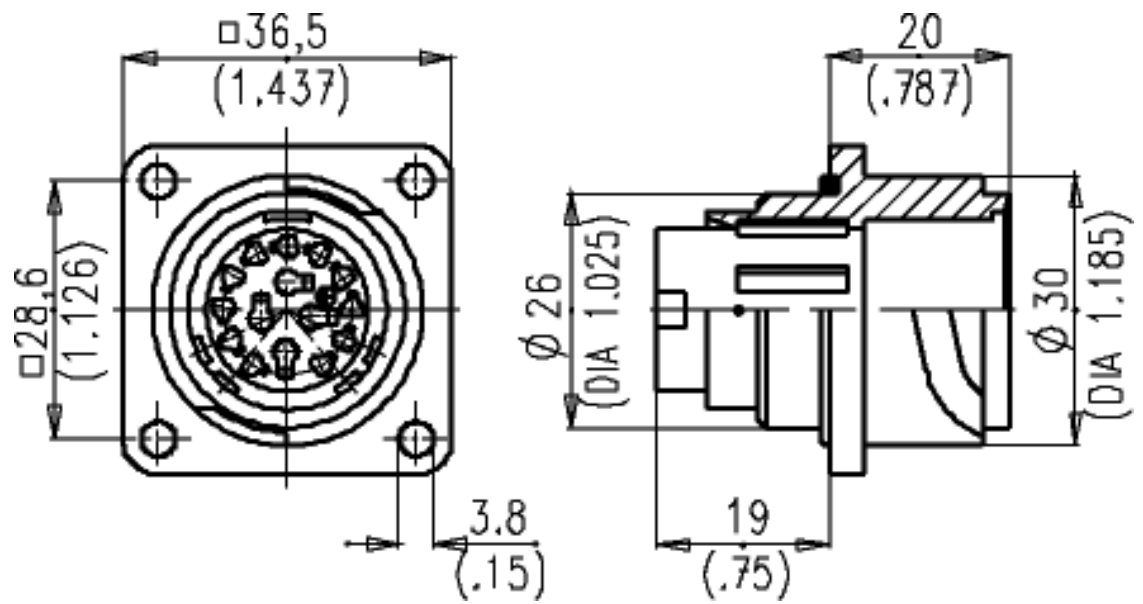
Shell Size 1			
Number of contacts	8+PE	14+PE	17+PE
Termination	crimp	crimp	crimp
Wire gauge	0.14 - 1.5 mm <sup>2</sup>	0.14 - 2.5 mm <sup>2</sup>	0.14 - 1.0 mm <sup>2</sup>
Rated Insulation Voltage	400V	100V	100V
Current carrying capacity	12 A	11 x 6 A 4 x 18 A	6 A
Pollution degree	3	3	3

Installation category	III	III	III
Protection class	IP 65	IP 65	IP 65

General	Standard	Characteristics		
Number of contacts		8+PE	14+PE	17+PE
<b>Electrical</b>				
Rated insulation voltage	IEC 60664-1	400 V	100 V	100 V
Rated impulse withstand voltage	IEC 60664-1	6000 V	3000 V	3000 V
Pollution degree	IEC 60664-1	3	3	3
Installation (overvoltage) category	IEC 60664-1	III	III	III
Material group	IEC 60664-1	II	II	II
Test voltage	IEC 60664-1	3110 V	1680 V	1680 V
Current carrying capacity	IEC 60512-3	12 A	11 x 8 A 4 x 18 A	6A
Insulation resistance	IEC 60512-2	>10 <sup>8</sup> Ω		
Contact resistance	IEC 60512-2	≤5 mΩ		
<b>Climatical</b>				
Climatic category	IEC 60068-1	40 / 125 / 56		
Temperature range		-40°C ... +125°C		
<b>Mechanical</b>				
IP-degree	IEC 60529	IP 65		
Insertion and withdrawal forces	IEC 60512-7	≤ 25 N	≤ 30 N	≤ 22 N
Mechanical operation	IEC 60512-5	≥ 500 mating cycles		
<b>Materials</b>				
Housing		Polyamid 6.6		
Dielectric		Polyamid 6.6		
Gasket		Neoprene		
Contact plating		Silver		
<b>Other Characteristics</b>				
Termination technique		crimp		
Wire gauge		0.14 - 1.5mm <sup>2</sup>	0.14 - 2.5mm <sup>2</sup>	0.14 - 1.0mm <sup>2</sup>
Flammability		UL 94 VO		



## Line Drawings



## Panel Cutout

