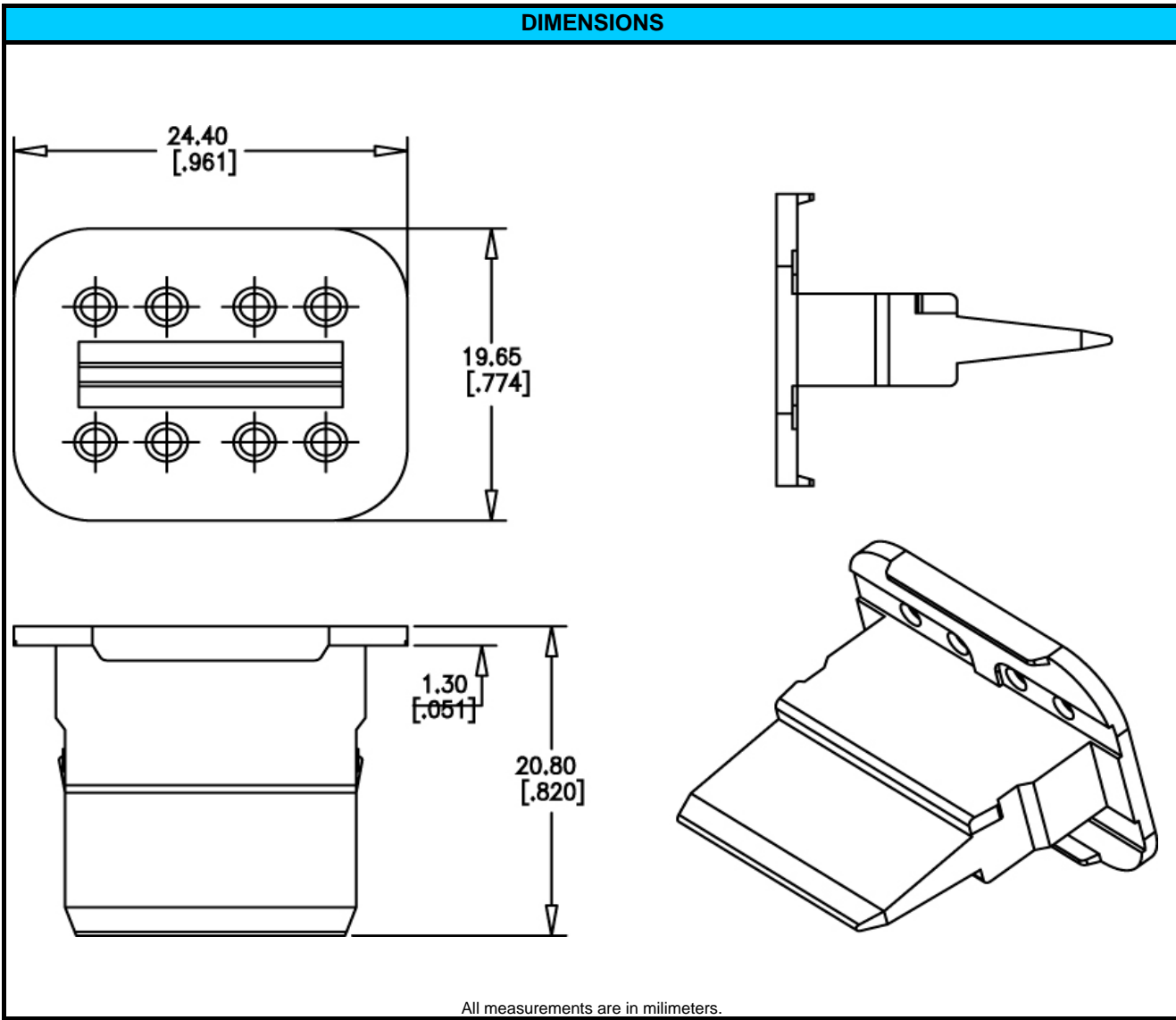


PART NUMBER
AW8S



NOTES:	
<b>HOUSING COLOR</b>	GREEN
<b>MATING CONNECTOR:</b>	AT06-08S
<b>REV: NC</b>	UNCONTROLLED DOCUMENT
<b>DATE 23-MARCH-2009</b>	INFORMATION SUBJECT TO CHANGE WITHOUT NOTICE

© 2009 Amphenol Sine Systems Corporation. Every effort has been made to ensure that the information contained in this document is accurate at the time of publication. Specifications or information stated in this publication are subject to change without notice.