

Product Searches

- [7/16](#)
- [1.0/2.3](#)
- [1.6/5.6](#)
- [AFI](#)
- [AMC](#)
- [BNC / RP-BNC](#)
- [C](#)
- [FAKRA SMB](#)
- [FME](#)
- [HN](#)
- [MCX](#)
- [Mini BNC](#)
- [Mini-UHF](#)
- [Mini 75 Ohm](#)
- [SMB](#)
- [MMCX](#)
- [Precision \(APC\)](#)
- [QMA](#)
- [QWS](#)
- [SC](#)
- [SMA / RP-SMA](#)
- [SMB](#)
- [SMC](#)
- [SMP](#)
- [SSMB](#)
- [TNC / RP-TNC](#)
- [Triax](#)
- [Twin BNC](#)
- [Twinax](#)
- [Type F](#)
- [Type G](#)
- [Type N](#)
- [UHF](#)
- -----
- [Adapters](#)
- [Cable Assemblies](#)
- [Tools](#)
- [Accessories](#)
- -----
- [Product Search](#)
- -----
- [Inventory Search](#)

product details

← back



Please note: Images are for reference only

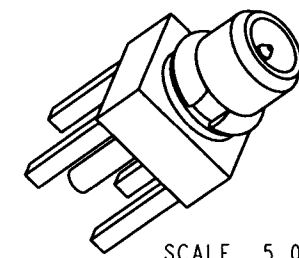
Amphenol Part Number:	908-21103
Product Series:	MMCX
Product Type:	Connectors » Printed Circuit Board
Body Plating:	Gold
Connector Body Style:	Straight
Contact Plating:	Gold
Gender:	Plug
Impedance:	50 Ohm
RoHS Compliant:	Yes

NOTES:

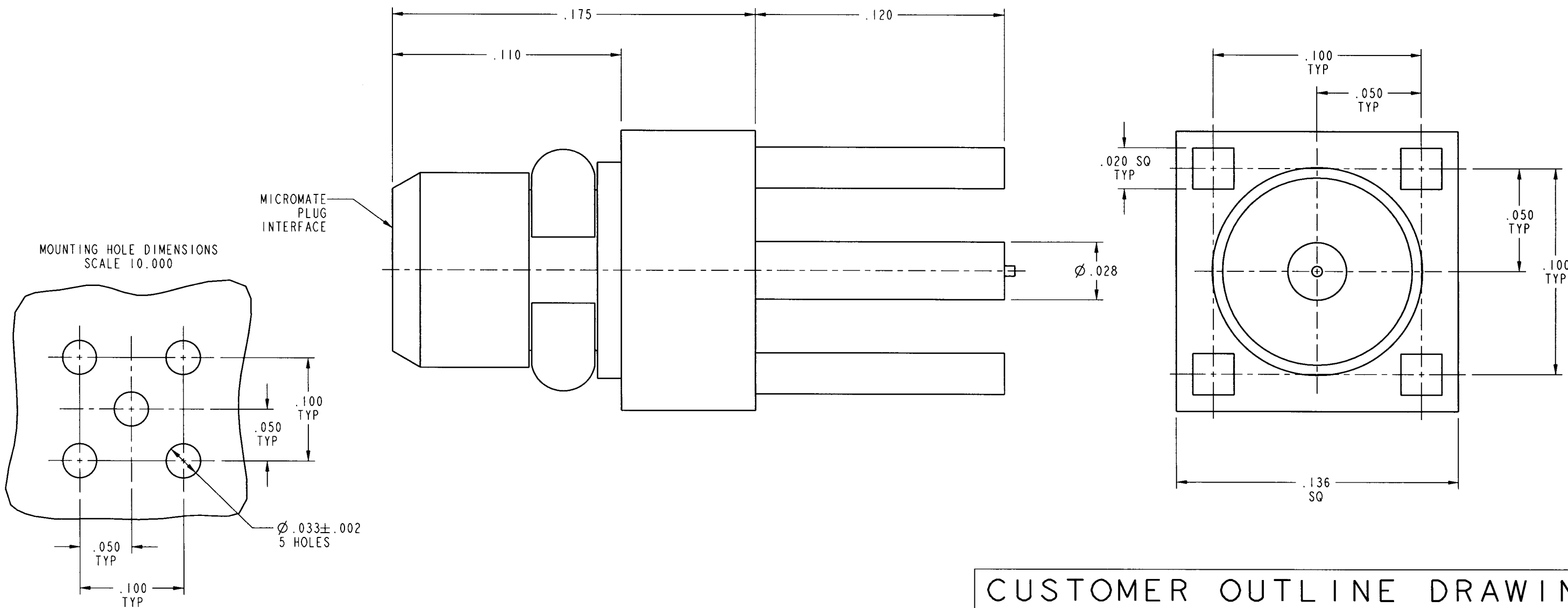
I. MATERIALS AND FINISHES:

- BODY - BRASS, GOLD PLATE (.000030 MIN) OVER NICKEL (.000080 MIN)
- CONTACT - BRASS, GOLD PLATE (.000030 MIN) OVER NICKEL (.000080 MIN)
- RET. RING - BE CU, GOLD PLATE (.000030 MIN) OVER NICKEL (.000080 MIN)
- INSULATOR - TFE FLUOROCARBON

908-21103		REVISIONS			
DRAWING NO.	REV	DESCRIPTION	DATE	ECO	APPR
THIRD ANGLE PROJ.	A	ENGINEERING RELEASE TO MFG	6/16/97	41949	DL



SCALE 5.000



CUSTOMER OUTLINE DRAWING

UNLESS OTHERWISE SPECIFIED, DIMENSIONS ARE IN INCHES AND TOLERANCES ARE: 2 PLACE DECIMAL ±.015 (0,381 mm) 3 PLACE DECIMAL ±.005 (0,127 mm) ANGLES ± 1°	MATERIAL	DRAWN D. LUI	DATE 02-Jan-97	TITLE MMCX PLUG PC MOUNT		Amphenol Amphenol Corporation Communication and Network Products Division Danbury, CT U.S.A. 06810	
	REFERENCE	ENGINEER D. LUI	DATE 02-Jan-97	APPROVED 	DATE 5-7-97	SCALE: 20.0:1	SHEET 2 OF 2
NOTICE - These drawings, specifications, or other data (1) are, and remain the property of Amphenol Corp. (2) must be returned upon request; and (3) are confidential and not to be disclosed to any person other than those to whom they are given by Amphenol Corp. The furnishing of these drawings, specifications, or other data by Amphenol Corp., or to any other person to anyone for any purpose is not to be regarded by implication or otherwise in any manner licensing, granting rights or permitting such holder or any other person to manufacture, use or sell any product, process or design, patented or otherwise, that may in any way be related to or disclosed by said drawings, specifications, or other data.	EAR 966375 0 615X-1451-100 GEN# ASSYM4_MMCX	CAD FILE I:\MMCX\908-21103	CODE ID 74868	DWG SIZE B	DRAWING NO. 908-21103	REV A	

ELECTRICAL

	CECC22000	Test Requirement
Impedance		50 Ohm
Frequency Range		DC thru 6 GHz
VSWR <u>SMT and Edgecard</u> (Mated Pair) DC - 4 GHz 4-6 GHz <u>Cabled</u> Straight, Semi-Rigid Straight, Flex Right Angle, Semi-Rigid Right Angle, Flex	4.4.1	1.15 Max 1.40 Max 1.15 Max 1.20 Max 1.20 Max 1.25 Max
Dielectric Withstanding Voltage (at Sea Level)	4.4.5	500 V rms, 50 Hz
Working Voltage (at Sea Level)	4.4.4	≤170 V rms, 50 Hz
Insulation Resistance	4.4.4	≥500 MΩ
Contact Resistance Center Conductor Outer Conductor	4.4.2 4.4.3	≤10 mΩ ≤5 mΩ

NOTE: These characteristics are typical and may not apply to all connectors.

ENVIRONMENTAL

	CECC22000	Test Requirement
Temperature Range		-40°C thru 90°C
Temperature Shock	4.6.7	Mil-STD-202, Method 107
Humidity	4.6.6	Mil-STD-202, Method 103, Condition B
Vibration	4.6.3	3 cycles, 3 opposite directions, 10-150 Hz, 10-60 Hz: 0.75mm/.030 in., 60-150Hz 10G's
Mechanical Shock	4.6.4	Mil-STD-202, Method 213, Condition B

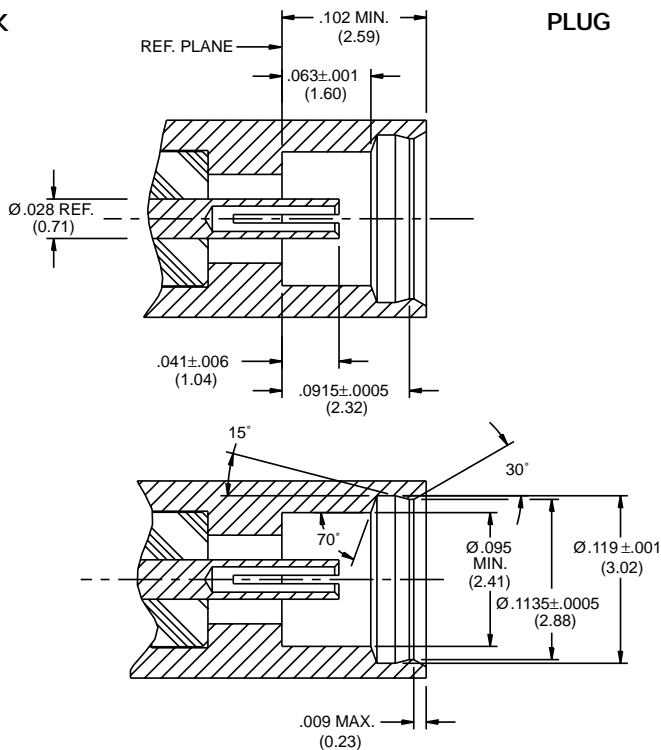
MECHANICAL

	CECC22000	Test Requirement
Engagement Force	4.5.4	≤3.4 lbs.
Disengagement Force	4.5.4	1.4 lbs. to 3.4 lbs.
Contact Captivation	4.5.2	2.3 lbs.
Durability (Machined)	4.7.1	≥500 cycles

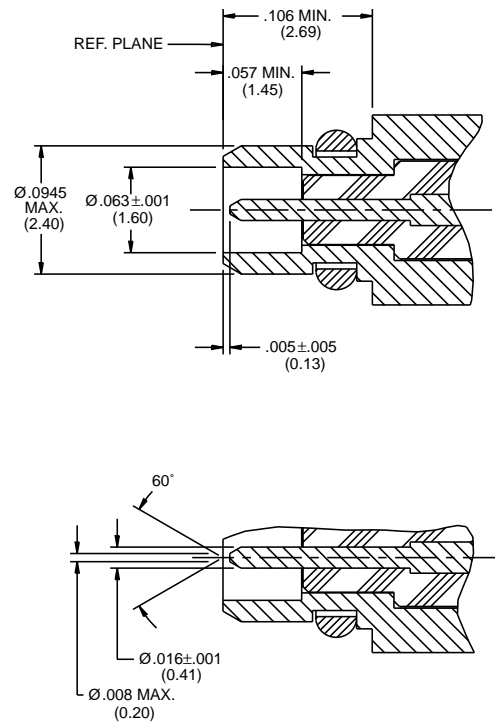
MATERIAL

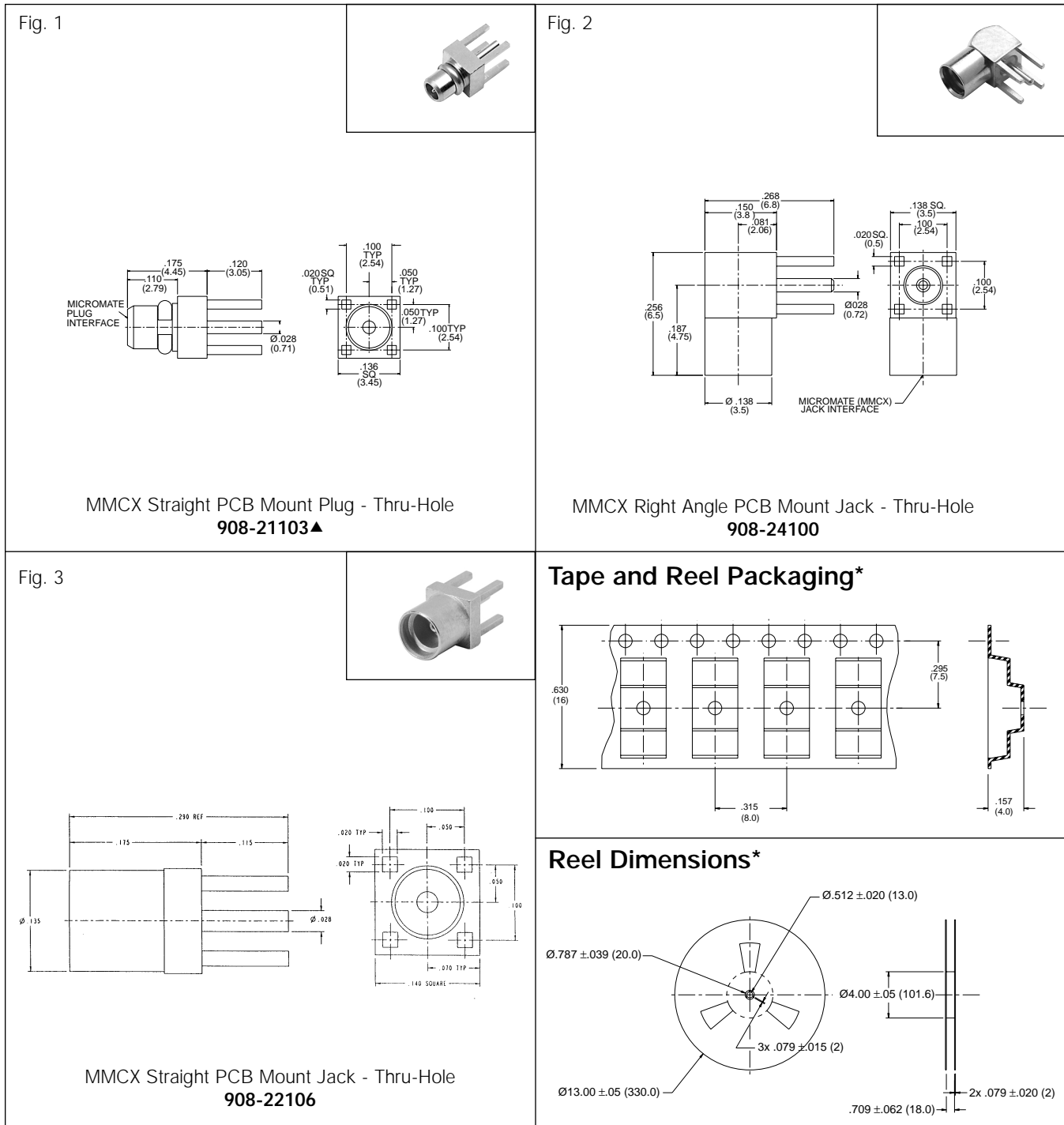
Connector Part	Standards	Material	Plating
Leads	QQ-C-530	BeCu	Gold
Contact Socket	QQ-C-530	BeCu	Gold
Outer Conductor	QQ-C-530	BeCu	Gold
Housing (SMT)	—	Liquid Crystal Polymer	—
Insulator	ASTM-D1457	PTFE	—

JACK



PLUG





* Blister tape packaged uniformly for edgcard mounting and supplied in accordance with IEC 286-3/EIA 481

MicroMate™ (MMCX) EDGE CARD AND PCB MOUNTS

Description	Plt.	Ins.	Contact	Mtg. Patterns/Page No.	Construction Notes	Amphenol Number	Fig.
R/A Jack, PCB	P11	D1	BeCu	Fig. M1/6	1 Piece Contact	▲908-24100	2
Straight PCB Plug	P11	D1	Brass	Fig. M1/6	Machined	▲908-21103	1
Straight Jack PCB	P11	D1	BeCu	Fig. M1/6	Machined	▲908-22106	3

▲ Distributor Stocked