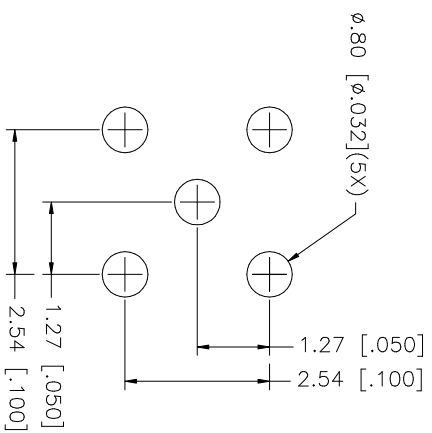
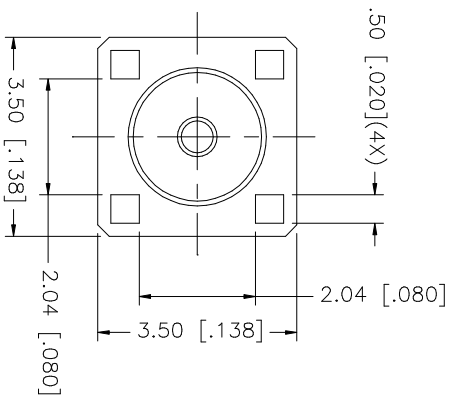
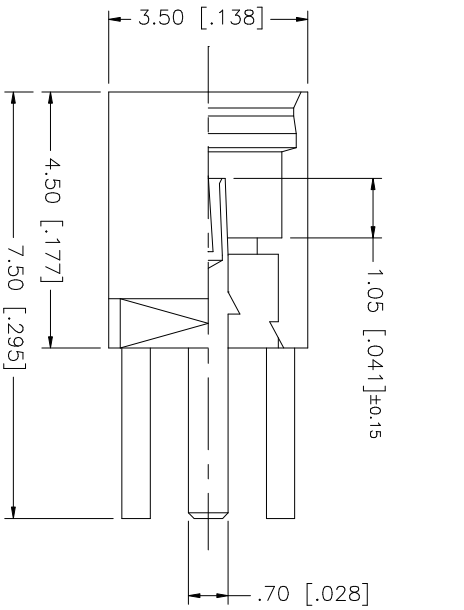


REV.	DATE	DESCRIPTION
NC	03/12/03	INITIAL RELEASE



PCB MOUNTING HOLES

8																			
7																			
6																			
5																			
4																			
3	CONTACT PIN	BER. COPPER	GOLD	1															
2	INSULATOR	TEFLON	NATURAL	1															
1	BODY	BRASS	GOLD	1															
	DESCRIPTION	MATERIAL	FINISH	QTY															
					UNLESS OTHERWISE SPECIFIED DIMENSIONS ARE IN MILLIMETERS. DIMENSIONS IN [] ARE IN INCHES AND FOR CUSTOMER REFERENCE ONLY.														
					UNLESS OTHERWISE SPECIFIED TOLERANCES FOR MILLIMETERS ARE:														
					0.5 - 8mm ± 0.20mm 8 - 30mm ± 0.40mm 30 - 120mm ± 0.50mm														
					UNLESS OTHERWISE SPECIFIED TOLERANCES FOR INCHES ARE:														
					.020 - .315 = ± 0.007" .315 - 1.180 = ± 0.015" 1.180 - 4.1724 = ± 0.020"														
					DO NOT SCALE DRAWING														
		APPROVALS		DATE															
		DRAWN		G.R.S.		03/12/03													
		CHECKED																	
		ISSUED																	
		SHEET		1 OF 1															
		CAD FILE		C:/262/262104.DWG															
		DWG. NO.		262104.DWG															
		REV.		NC															
		SIZE		A															
		SCALE		NA															
										Amphenol Connex MMCX P.C.B. JACK 262104									