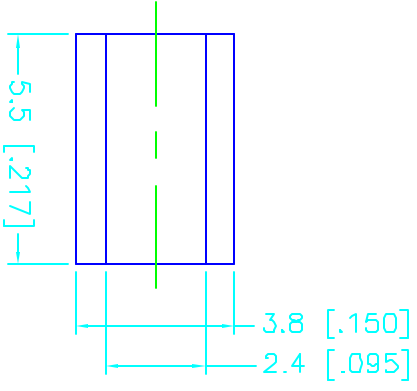
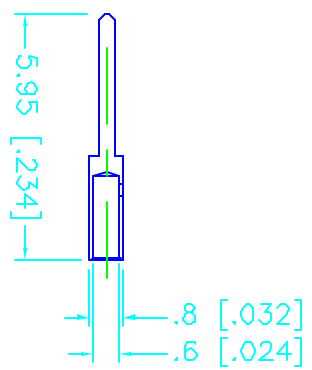
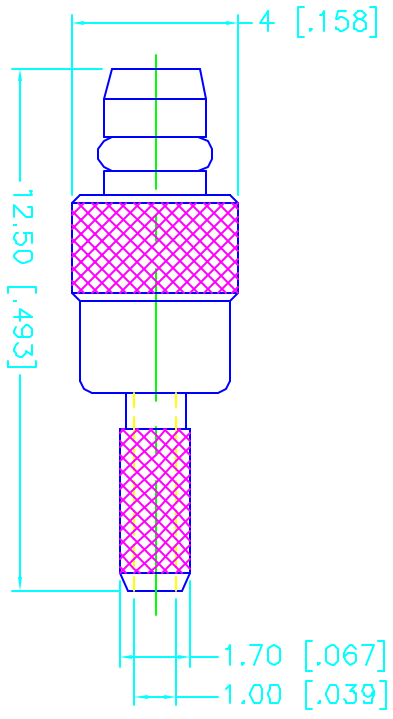
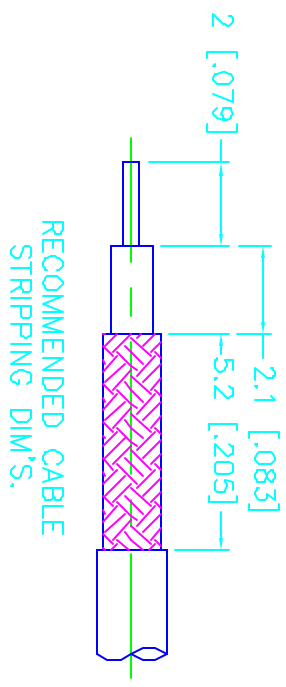


REV.	DATE	DESCRIPTION
NC	02/12/00	INITIAL RELEASE



DESCRIPTION	MATERIAL	FINISH	UNLESS OTHERWISE SPECIFIED DIMENSIONS ARE IN MILLIMETERS FOR CUSTOMER REFERENCE ONLY	APPROVALS	DATE	TITLE	
1 BODY	BRASS	GOLD	UNLESS OTHERWISE SPECIFIED TOLERANCES FOR MILLIMETERS ARE: 0.5-6 = ± 0.2 6-30 = ± 0.4 30-120 = ± 0.6 120-315 = ± 1 315-1000 = ± 1.6 1000-2000 = ± 2.4	DRAWN G.R.S.	02/12/00	MMCX CRIMP PLUG Connector Corporation (FOR RG-178B/U, 196A/U CABLE)	
2 INSULATOR	TEFLON	NATURAL		CHECKED			
3 BARREL	BRASS	GOLD		ISSUED			
4 CONTACT PIN	BRASS	GOLD					
5 RETAINER RING	PHOS. BRONZE	GOLD					
6 FERRULE	COPPER	GOLD					
7							
8				DO NOT SCALE DRAWING			