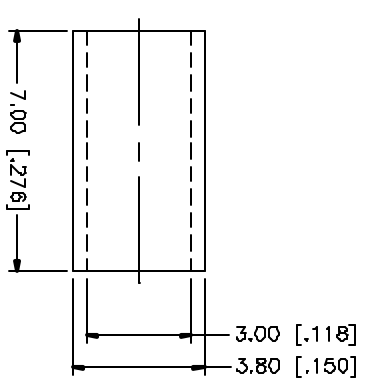
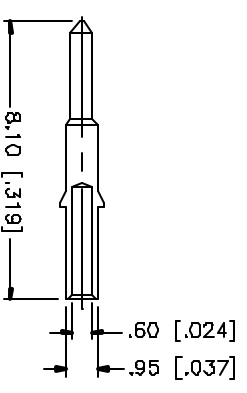
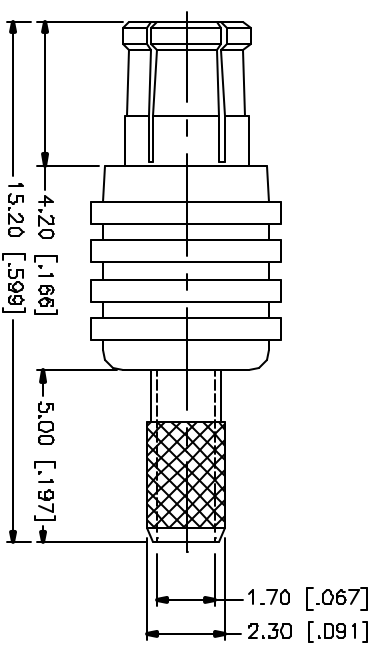
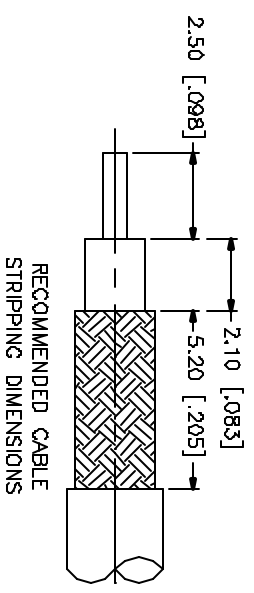


REV.	DATE	DESCRIPTION
A	01/13/99	UPDATE DRAWING
B	05/01/04	UPDATE DRAWING FORMAT



NOTE:

1. CRIMPED FERRULE
HEX CRIMP SIZE .128"
2. CRIMPED CONTACT PIN
SQ. CRIMP SIZE 0.7mm

DESCRIPTION	MATERIAL	FINISH	QTY	UNLESS OTHERWISE SPECIFIED DIMENSIONS ARE IN INCHES AND FOR PARTS NOT OTHERWISE SPECIFIED. DIMENSIONS FOR VALUERS ARE:	APPROVALS	DATE	PART DESCRIPTION	DWG. NO.	REV.	SIZE	SCALE	
B				UNLESS OTHERWISE SPECIFIED DIMENSIONS ARE IN INCHES AND FOR PARTS NOT OTHERWISE SPECIFIED. DIMENSIONS FOR VALUERS ARE: D.S. - 30mm ± 0.20mm B - 30mm ± 0.40mm 30 - 120mm ± 0.50mm UNLESS OTHERWISE SPECIFIED DIMENSIONS FOR INCHES ARE: .020 - .315 = ± 0.007" .315 - 1.180 = ± 0.015" 1.180 - 4.724 = ± 0.020"			MCX CRIMP PLUG (FOR RG-174/U, 188A/U, 316/U)	252103.DWG	B	A	NA	
7					DRAWN	G.R.S.						05/01/04
6					CHECKED							
5	FERRULE	COPPER	1		ISSUED							
4	CONTACT PIN	BRASS	1		SHEET	1 OF 1						
3	INSULATOR	TEFLON	1									
2	BODY	BER. COPPER	1									
1	HOUSING	BRASS	1									
	DESCRIPTION	MATERIAL	FINISH	QTY	DD NOT SCALE DRAWING							

Amphenol Connex