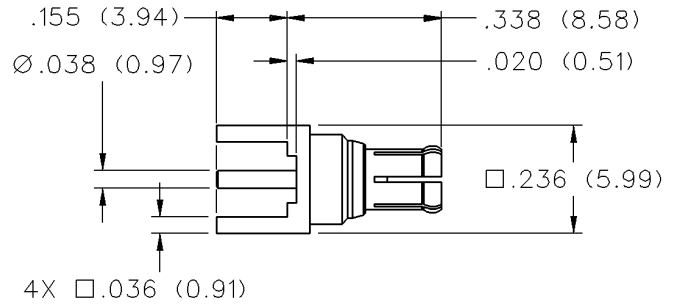
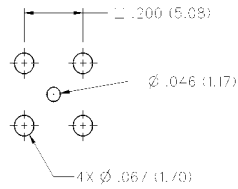


133-3701-201	3	133-3711-201	4
133-3701-206	3	133-3711-202	4
133-3701-211	3	133-3711-207	4
133-3701-216	3	133-3711-208	4
133-3701-221	3	133-3711-211	4
133-3701-226	3	133-3711-212	4
133-3701-231	4	133-3711-217	4
133-3701-236	4	133-3711-218	4
133-3701-301	5	133-3711-301	5
133-3701-306	5	133-3711-302	5
133-3701-311	5	133-3711-307	5
133-3701-316	5	133-3711-308	5
133-3701-321	5	133-3711-311	6
133-3701-326	5	133-3711-312	6
133-3701-401	7	133-3711-317	6
133-3701-406	7	133-3711-318	6
133-3701-411	7	133-3801-201	3
133-3701-416	7	133-3801-206	3
133-3701-601	7	133-3801-211	3
133-3701-606	7	133-3801-216	3
133-3701-611	7	2-Hole Flange Mount Jack Receptacle - Extended	7
133-3701-616	7	2-Hole Flange Mount Jack Receptacle - Flush	7
133-3701-621	7	End Launch Jack Receptacle - Round Contact	6
133-3701-626	7	Front Mount Bulkhead Jack Receptacle	7
133-3701-801	6	Right Angle Jack Receptacle	5
133-3701-806	6	Right Angle Jack Receptacle - Surface Mount	5, 6
133-3701-811	6	Specifications	2
133-3701-816	6	Straight Jack Receptacle	3
		Straight Jack Receptacle - .100" Layout	4
		Straight Jack Receptacle - Surface Mount	4
		Straight Plug Receptacle	3
		Straight Plug Receptacle - Low Profile	3

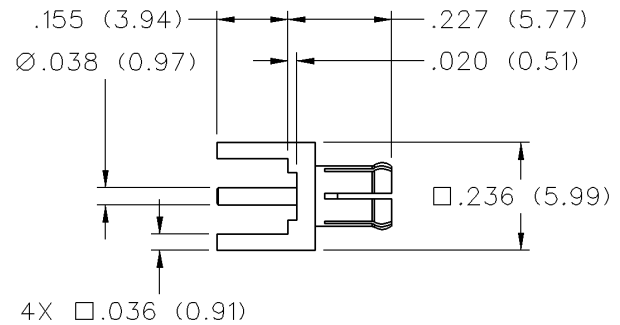
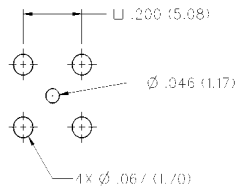
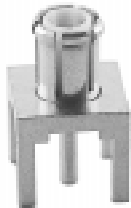


## Straight Plug Receptacle



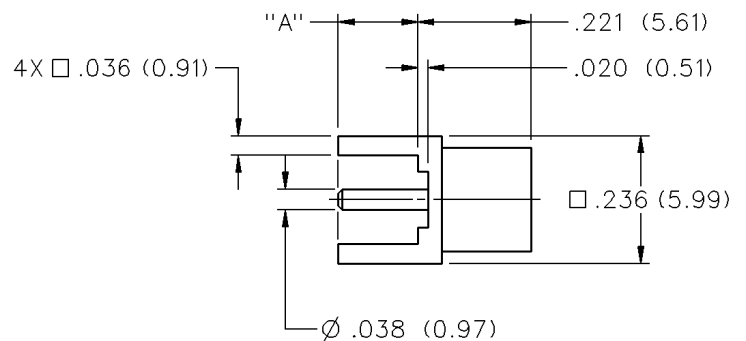
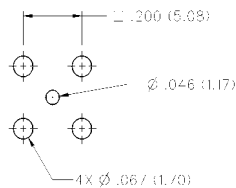
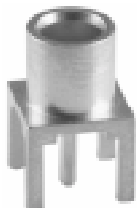
GOLD PLATED	NICKEL PLATED
133-3801-201	133-3801-206

## Straight Plug Receptacle - Low Profile



GOLD PLATED	NICKEL PLATED
133-3801-211	133-3801-216

## Straight Jack Receptacle



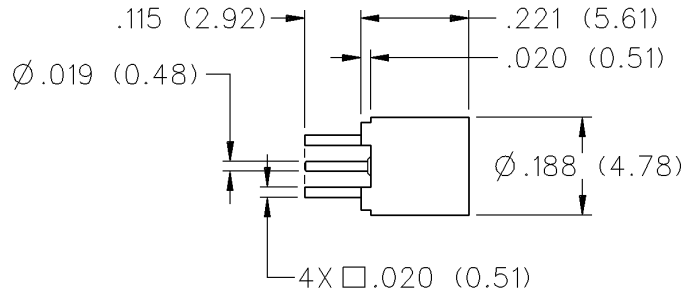
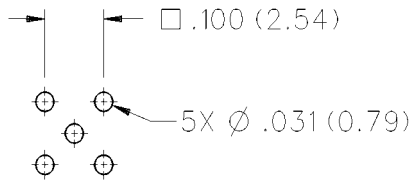
DIMENSION "A"	GOLD PLATED	NICKEL PLATED
.155 (3.94)	133-3701-201	133-3701-206
.110 (2.79)	133-3701-211	133-3701-216
.068 (1.73)	133-3701-221	133-3701-226

# MCX - 50 Ohm Connectors

PC Mount

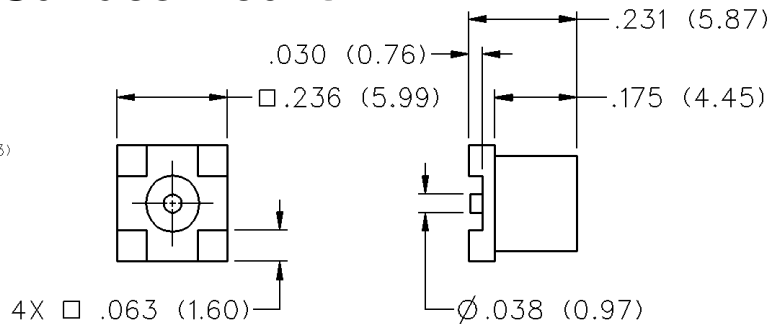
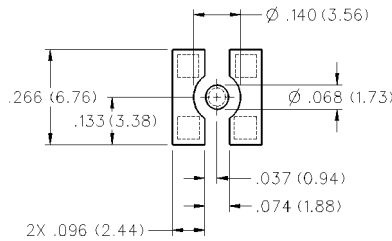
INCHES (MILLIMETERS)  
CUSTOMER DRAWINGS AVAILABLE UPON REQUEST

## Straight Jack Receptacle - .100" Layout



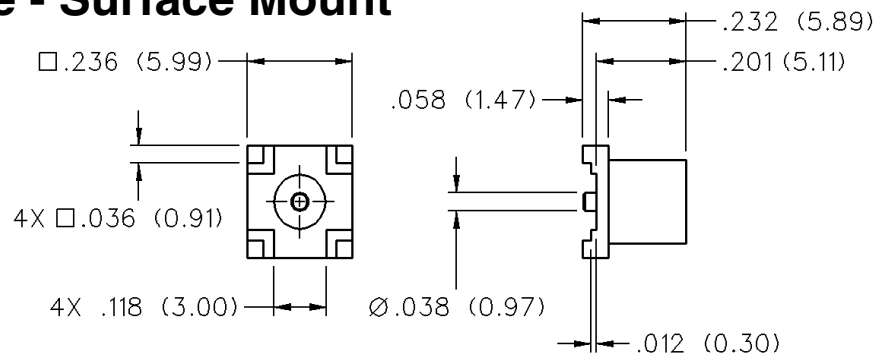
GOLD PLATED	NICKEL PLATED
133-3701-231	133-3701-236

## Straight Jack Receptacle - Surface Mount



GOLD PLATED	TIN PLATED	PACKAGING
133-3711-201	133-3711-207	STOCK
133-3711-202	133-3711-208	TAPE AND REEL 750 pcs/reel

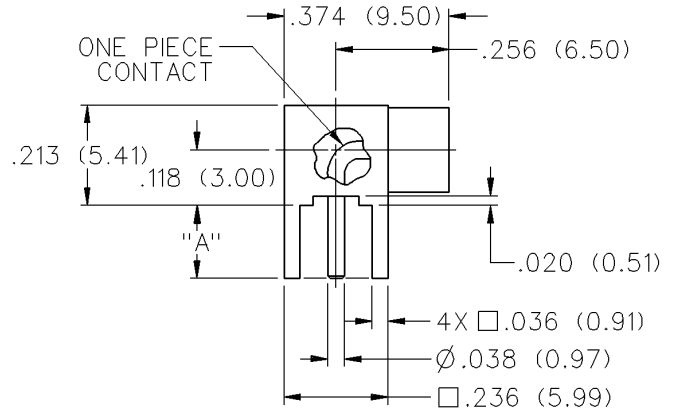
## Straight Jack Receptacle - Surface Mount



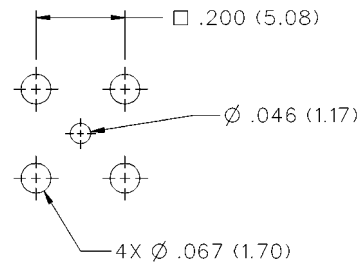
GOLD PLATED	TIN PLATED	PACKAGING
133-3711-211	133-3711-217	STOCK
133-3711-212	133-3711-218	TAPE AND REEL 750 pcs/reel

Tape and Reel .472 (12.0) component pitch X .630 (16.0) wide.

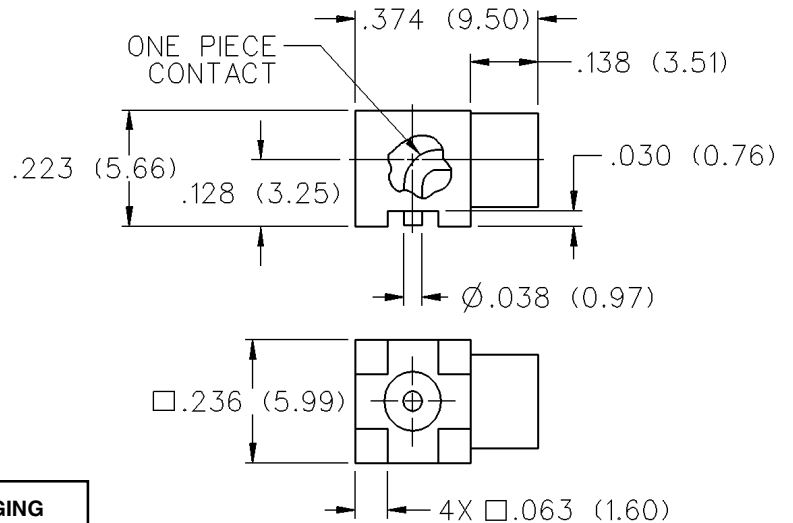
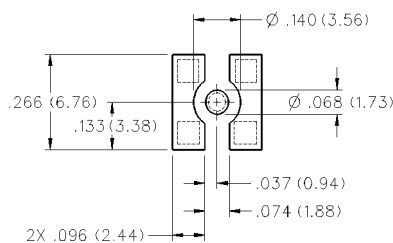
## Right Angle Jack Receptacle



"A"	GOLD PLATED	NICKEL PLATED
.155 (3.94)	133-3701-301	133-3701-306
.110 (2.79)	133-3701-311	133-3701-316
.068 (1.73)	133-3701-321	133-3701-326



## Right Angle Jack Receptacle - Surface Mount



GOLD PLATED	TIN PLATED	PACKAGING
133-3711-301	133-3711-307	STOCK
133-3711-302	133-3711-308	TAPE AND REEL 750 pcs/reel

Tape and Reel .472 (12.0) component pitch X .945 (24.0) wide.



## Front Mount Bulkhead Jack Receptacle

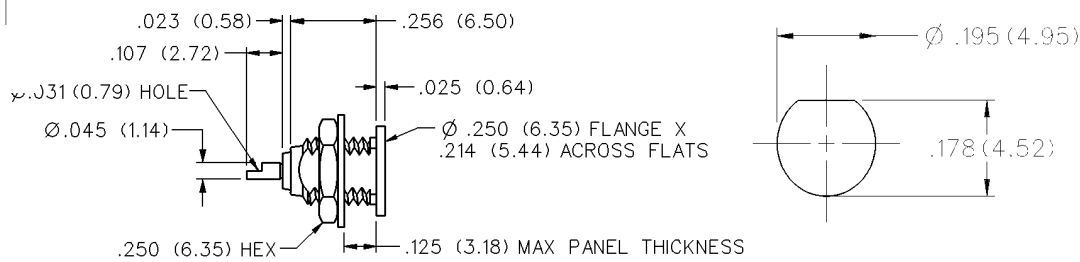


figure 1



GOLD PLATED	NICKEL PLATED	MOUNTING STYLE	FIG.
133-3701-401	133-3701-406	D Flat Threaded	1
133-3701-411	133-3701-416	Press Fit Knurl	2

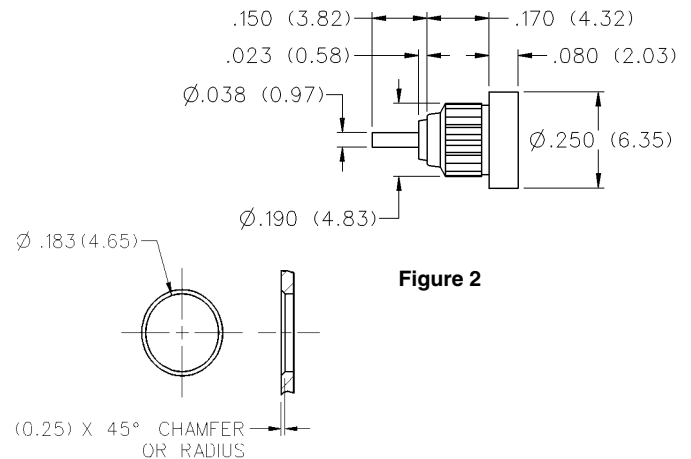
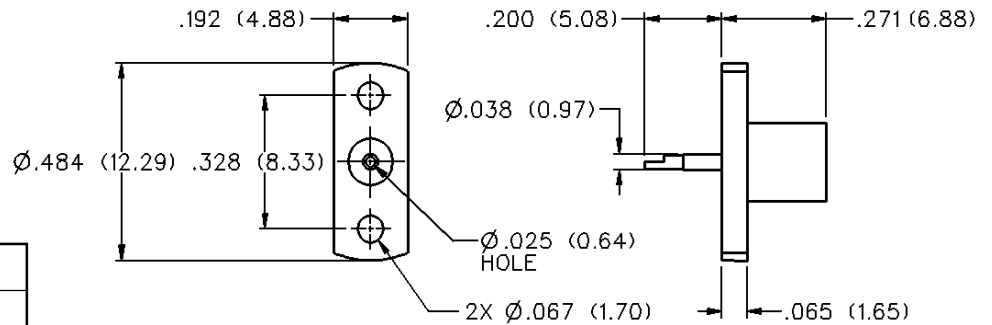
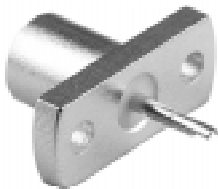


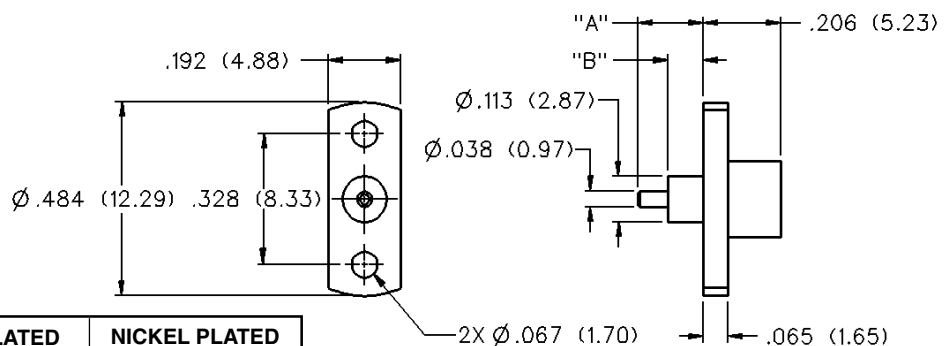
Figure 2

## 2-Hole Flange Mount Jack Receptacle - Flush Dielectric



GOLD PLATED	NICKEL PLATED
133-3701-601	133-3701-606

## 2-Hole Flange Mount Jack Receptacle - Extended Dielectric



"A"	"B"	GOLD PLATED	NICKEL PLATED
.170 (4.32)	.092 (2.34)	133-3701-611	133-3701-616
.300 (7.62)	.200 (5.08)	133-3701-621	133-3701-626