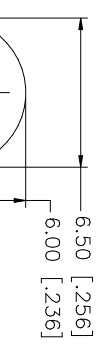
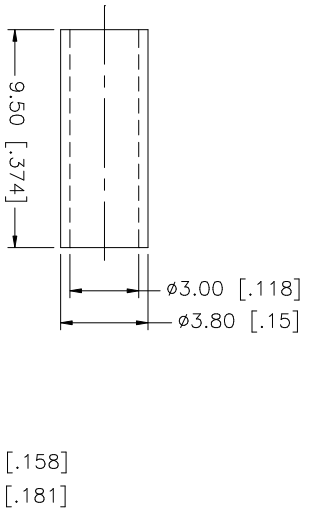
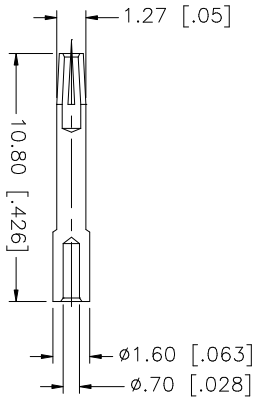
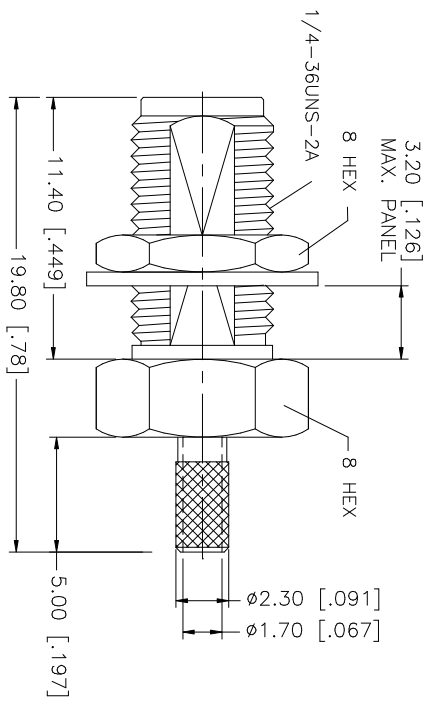
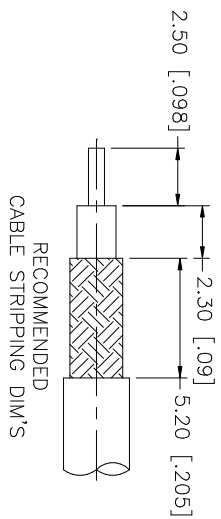


REV.	DATE	DESCRIPTION
A	01/29/00	UPDATE FERRULE
B	01/02/01	MODIFY BARREL / ADD HEAT SHRINK
C	04/31/03	UPDATE DRAWING FORMAT



CRIMP NOTES:

1. CRIMPED FERRULE
HEX CRIMP SIZE .128"
2. CONTACT PIN TO SOLDER
3. MAX. PANEL THICKNESS = 3.2mm

QTY	DESCRIPTION	MATERIAL	FINISH	QTY	DO NOT SCALE DRAWING	CAD FILE	DWG. NO.	REV.	SIZE	SCALE
1	HEAT SHRINK TUBING					C:/132/132119.DWG	132119.DWG	C	A	NA
1	FERRULE	COPPER	GOLD							
1	LOCK WASHER	BRASS	GOLD							
1	HEX NUT	BRASS	GOLD							
1	CONTACT PIN	BER. COPPER	GOLD							
1	INSULATOR	TEFLON	NATURAL							
1	BODY	BRASS	GOLD							
	DESCRIPTION	MATERIAL	FINISH	QTY						

Amphenol Connex

SMA BULKHEAD CRIMP JACK
(FOR RG-174/U, 188A/U, 316/U CABLE)

132119

UNLESS OTHERWISE SPECIFIED DIMENSIONS ARE IN MILLIMETERS DIMENSIONS IN [] ARE IN INCHES AND FOR CUSTOMER REFERENCE ONLY.
UNLESS OTHERWISE SPECIFIED TOLERANCES FOR MILLIMETERS ARE:
0.5 - 8mm ± 0.20mm
8 - 30mm ± 0.40mm
30 - 120mm ± 0.50mm
UNLESS OTHERWISE SPECIFIED TOLERANCES FOR INCHES ARE:
.020 - .315 = ± 0.007"
.315 - 1.180 = ± 0.015"
1.180 - 4.724 = ± 0.020"

APPROVALS

DATE

G.R.S.

04/31/03

CHECKED

ISSUED

SHEET 1 OF 1

PART DESCRIPTION

PART NO.

132119

DWG. NO.

132119.DWG

REV. C

SIZE A

SCALE NA