

## Our Products

- 7/16
- [BNC](#)
- [D-Sub](#)
- [FME](#)
- [MCX](#)
- [MMCX](#)
- [SMA](#)
- [SMB](#)
- [SMC](#)
- [TNC](#)
- [Twin BNC](#)
- [Type F](#)
- [Type N](#)
- [UHF](#)

Search Results for: BNC Plug/F Jack

*Please note: Images are for reference only*



**Part Number:** 242154  
**Family/Series:** Between Series Adapters  
**Product Type:** Between Series Adapters  
**Description:** BNC Plug/F Jack  
**Cable:** Non Applicable \*\*

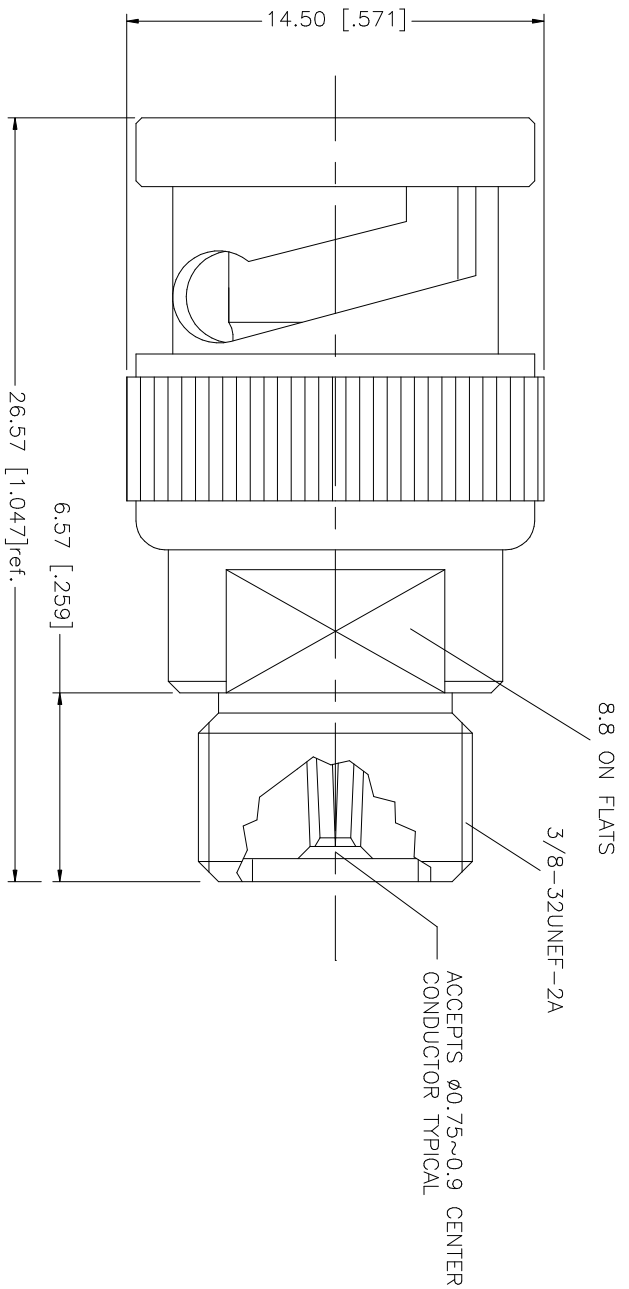
**Cable Group:** N/A  
**Finish:** N/A  
**Insulation:** N/A  
**Impedance:** N/A  
**Crimp Tool:** [N/A](#)

[Add to Cart](#) | [Product Specs](#) | [Customer Drawing](#)

- [Between-Series Adapters](#)
- [Shielded Terminations](#)
- [Strain-Relief Boots](#)
- [Tools](#)

[View All Products](#)

REV.	DATE	DESCRIPTION
A	01/22/04	UPDATE DRAWING FORMAT



QTY	FINISH	MATERIAL	DESCRIPTION
1	GOLD	BFR. COPPER	CONTACT PIN
1	NATURAL	TEFLON	INSULATOR
1	NICKEL	BRASS	BODY
			DESCRIPTION

UNLESS OTHERWISE SPECIFIED DIMENSIONS ARE IN INCHES AND FOR CUSTOMER REFERENCE ONLY.	UNLESS OTHERWISE SPECIFIED DIMENSIONS ARE IN MILLIMETERS AND FOR CUSTOMER REFERENCE ONLY.
UNLESS OTHERWISE SPECIFIED TOLERANCES FOR MILLIMETERS ARE:	UNLESS OTHERWISE SPECIFIED TOLERANCES FOR INCHES ARE:
0.5 - 8mm ± 0.20mm	.020 - .315 = ± 0.007"
8 - 30mm ± 0.40mm	.315 - 1.180 = ± 0.015"
30 - 120mm ± 0.50mm	1.180 - 4.724 = ± 0.020"

APPROVALS	DATE
DRAWN G.R.S.	01/22/04
CHECKED	
ISSUED	
SHEET 1 OF 1	

PART DESCRIPTION	PART NO.	DWG. NO.	REV.	SIZE	SCALE
<b>Amphenol Connex</b>	242154	242154.DWG	A	A	NA
BNC PLUG TO F JACK ADAPTER					



## BETWEEN SERIES ADAPTERS

Connex between series adapters are used to join two connectors of different series. They are designed to offer the lowest VSWR rating of the two series involved. Here is a listing of all adapters shown in this section. In-series adapters can be found at the end of each series listed.

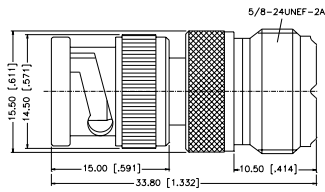
Description	P/N	Page	Description	P/N	Page	Description	P/N	Page
SMA Plug/BNC Jack	242102	172	SMA Plug/Mini-UHF Jack	242116	174	N Plug/TNC Jack	242130	176
SMA Jack/BNC Plug	242103	172	SMA Jack/Mini-UHF Plug	242117	174	N Jack/TNC Plug	242131	176
SMA Jack/BNC Jack	242123	172	SMA Plug/Mini-UHF Plug	242118	174	N Jack/TNC Jack	242132	177
SMA Plug/BNC Plug	242104	172	SMA Jack/Mini-UHF Jack	242119	175	N Plug/TNC Plug	242133	177
SMA Plug/TNC Jack	242124	172	SMA Plug/MCX Jack	242126	175	N Jack/F Jack	242120	177
SMA Jack/TNC Plug	242105	172	SMA Jack/MCX Plug	242127	175	N Jack/F Plug	242152	177
SMA Plug/TNC Plug	242106	172	SMA Plug/MCX Plug	242128	175	WATERPROOF		
SMA Jack/TNC Jack	242107	172	SMA Jack/MCX Jack	242129	175	N Plug/F Jack	242156	—
SMA Jack/TNC Jack (Bulkhead)	242178	—	SMA Plug/MMCX Jack	242140	175	WATERPROOF		
SMA Plug/SMB Jack	242144	173	SMA Jack/MMCX Plug	242141	175	N Plug/F Plug	242157	—
SMA Jack/SMB Plug	242145	173	SMA (Reverse Polarized) Jack/MMCX Plug	242141RP	175	N Right Angle Plug/F Jack	242158	—
SMA Plug/SMB Plug	242146	173	SMA Plug/MMCX Plug	242142	176	WATERPROOF		
SMA Jack/SMB Jack	242147	173	SMA Jack/MMCX Jack	242143	176	N Plug/7/16 Jack	242135	177
SMA Plug/SMC Jack	242174	—	N Plug/MCX Jack	242170	—	N Jack/7/16 Plug	242136	177
SMA Jack/SMC Plug	242175	—	N Jack/MCX Plug	242171	—	N Jack/7/16 Jack	242137	177
SMA Jack/SMC Jack	242176	—	N Jack/MCX Jack	242172	—	N Plug/7/16 Plug	242138	177
SMA Plug/SMC Plug	242177	—	N Plug/MCX Plug	242173	—	N Plug/UHF Jack	242155	178
SMA Plug/N Jack	242112	173	N Plug/MMCX Jack	242166	—	BNC Plug/TNC Jack	242148	178
SMA Jack/N Plug	242113	173	N Jack/MMCX Plug	242167	—	BNC Jack/TNC Plug	242149	178
SMA Plug/N Plug	242114	173	N Jack/MMCX Jack	242168	—	BNC Jack/TNC Jack	242150	178
SMA Jack/N Jack	242115	173	N Plug/MMCX Plug	242169	—	BNC Plug/TNC Plug	242151	178
SMA Jack/N Jack (Bulkhead)	242125	174	N Plug/BNC Jack	242121	176	BNC Plug/UHF Jack	242134	179
SMA Jack/N Jack (Panel)	242163	—	N Jack/BNC Plug	242101	176	BNC Plug/UHF Plug	242139	179
SMA Plug/UHF Jack	242108	174	N Jack/BNC Jack	242100	176	BNC Jack/UHF Plug	242164	—
SMA Jack/UHF Plug	242109	174	N Jack/BNC Jack (Bulkhead)	242162	—	BNC Jack/UHF Jack	242165	—
SMA Plug/UHF Plug	242110	174	N Plug/BNC Plug	242122	176	BNC Plug/F Jack	242154	179
SMA Jack/UHF Jack	242111	174				BNC Jack/F Jack	242161	—
						Mini-UHF Plug/UHF Jack	242153	179

For Reverse Polarized connectors, add RP to standard part number. Contact Connex marketing for availability.  
For Reverse Threaded connectors, add RT to standard part number. Contact Connex marketing for availability.

## BETWEEN SERIES ADAPTERS

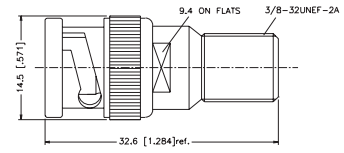
P.N. Description

242134 BNC Plug/UHF Jack



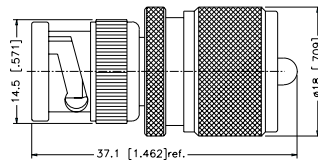
P.N. Description

242154 BNC Plug/F Jack



P.N. Description

242139 BNC Plug/UHF Plug



P.N. Description

242153 Mini-UHF Plug/UHF Jack

