

Our Products

- 7/16
- [BNC](#)
- [D-Sub](#)
- [FME](#)
- [MCX](#)
- [MMCX](#)
- [SMA](#)
- [SMB](#)
- [SMC](#)
- [TNC](#)
- [Twin BNC](#)
- [Type F](#)
- [Type N](#)
- [UHF](#)

Search Results for: Straight 3-Piece Crimp Plug - Captive Contact

Please note: Images are for reference only



Part Number: 182123
Family/Series: UHF/Mini-UHF Coaxial Connectors
Product Type: MINI-UHF SERIES
Description: Straight 3-Piece Crimp Plug - Captive Contact
Cable: 55/142/223/400 **

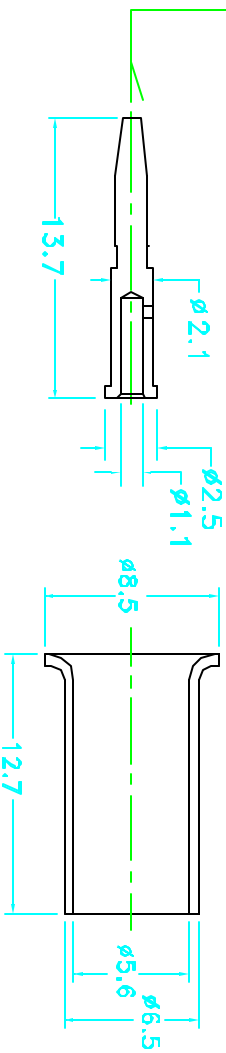
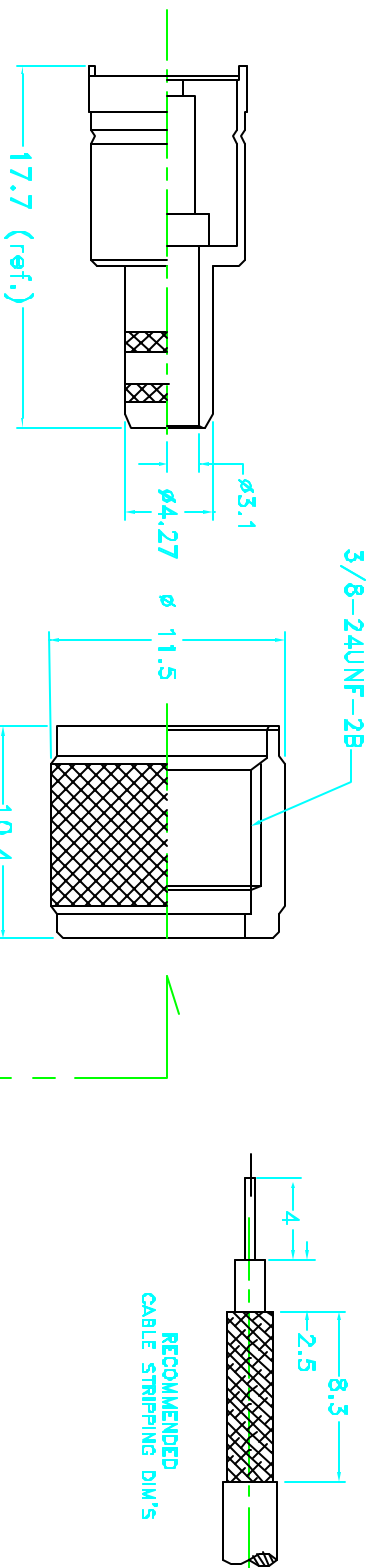
Cable Group: 01A
Finish: Nickel
Insulation: Teflon
Impedance: 50 ohms
Crimp Tool: [A](#)

[Add to Cart](#) | [Product Specs](#) | [Customer Drawing](#)

- [Between-Series Adapters](#)
- [Shielded Terminations](#)
- [Strain-Relief Boots](#)
- [Tools](#)

[View All Products](#)

REV.	DATE	DESCRIPTION
NC	11/13/96	INITIAL RELEASE



DESCRIPTION	MATERIAL	FINISH	DIMENSIONS ARE IN MILLIMETERS UNLESS OTHERWISE SPECIFIED TOLERANCES ARE	APPROVALS	DATE	TITLE	SCALE	PART NO.	SHEET	REV.
1 BODY	BRASS	NICKEL	0.5-8 = ± 0.2	DRAWN	11/13/96	 Connector Corporation MINI-UHF CRIMP PLUG FOR RG 55-223 CABLE	A	99001	182123.DWG	NC
2 INSULATOR	TEFLON	NATURAL	8-30 = ± 0.4	CHECKED						
3 CONTACT PIN	BRASS	GOLD	30-120 = ± 0.8	ISSUED						
4 FERRULE	BRASS	NICKEL	120-315 = ± 1							
5 SHELL	BRASS	NICKEL	315-1000 = ± 1.6							
6			1000-2000 = ± 2.4							
7										
8			DO NOT SCALE DRAWING				3:1	182123	1	OF 1

Our Products

- [7/16](#)
- [BNC](#)
- [D-Sub](#)
- [FME](#)
- [MCX](#)
- [MMCX](#)
- [SMA](#)
- [SMB](#)
- [SMC](#)
- [TNC](#)
- [Twin BNC](#)
- [Type F](#)
- [Type N](#)
- [UHF](#)

[Between-Series Adapters](#)

[Shielded Terminations](#)

[Strain-Relief Boots](#)

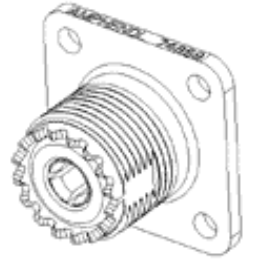
[Tools](#)

[View All Products](#)

UHF connector series

[Features & Benefits](#) |
 [Applications](#) |
 [Specs](#) |
 [Assembly Instructions](#)

Invented in the 1930's by an Amphenol engineer named E. Clark Quackenbush, UHF coaxial connectors are general purpose units developed for use in low frequency systems from 0.6 - 300 MHz. Invented for use in the radio industry, UHF is an acronym for Ultra High Frequency because at the time 300 MHz was considered high frequency.



UHF connectors feature a threaded coupling. Because these connectors are low-cost, the impedance is variable.

UHF/Mini-UHF Coaxial Connectors

UHF SERIES

- [Straight Crimp Plug](#)
- [Straight FCP Plug](#)
- [Straight Solder Plug - Ug Standard, PL-259 Type](#)
- [Reducing Adapter](#)
- [Straight Crimp Jack](#)
- [Panel Crimp Jack](#)
- [Panel Receptacle](#)
- [Bulkhead Receptacle](#)
- [Jack-To-Jack Adapter](#)
- [Jack-To-Jack Adapter](#)

MINI-UHF SERIES

- [Mini-UHF Terminator Plug](#)
- [Right Angle 2-Piece Crimp Plug](#)
- [Straight 3-Piece Crimp Plug - Captive Contact](#)
- [Straight 3-Piece Crimp Jack](#)
- [Bulkhead Crimp Jack](#)
- [Bulkhead Receptacle Jack - Rear Mount](#)

Features & Benefits

- Optional reducing adapters accommodate a wide range of popular coaxial cables
- Solder termination types require no special assembly tools
- Crimp termination types provide a lower cost installation method
- Large-size threaded coupling is rugged design
- Non-demanding specifications and low cost

Applications

- Antennas
- Cable Assembly
- Low Frequency Applications
- Public Address Systems
- CB Radios

UHF Specifications

Electrical	
Impedance	Non-constant
Frequency Range	0 - 300 MHz
Voltage Rating	500 volts peak
Mechanical	
Mating	5/8-24 threaded coupling
Cable Affixment	Braid solder, set screw, clamp and crimp

Material	
Male Contact	Brass with silver plating
Female Contact	Beryllium copper with silver plating
Bodies	Brass and die cast zinc
Other Metal Parts	Brass
Plating	Nickel and silver
Insulators	TFE, copolymer of styrene, polystyrene, mica-filled phenolic and PBT polyester or equivalent
Environmental	
Temperature Range	Mica-filled phenolic insulators: -55°C to +149°C Copolymer of styrene and polystyrene: -55°C to +85°C CTFE insulators: -65°C to +165°C
Weatherproof	Except as noted, all UHF series are non-weatherproof

Note: These characteristics are typical but may not apply to all connectors.

 [back to top](#)