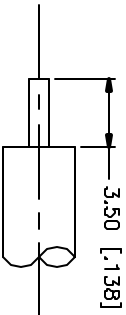
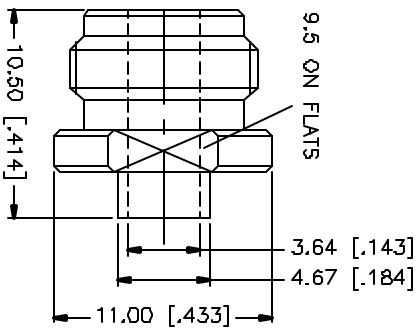
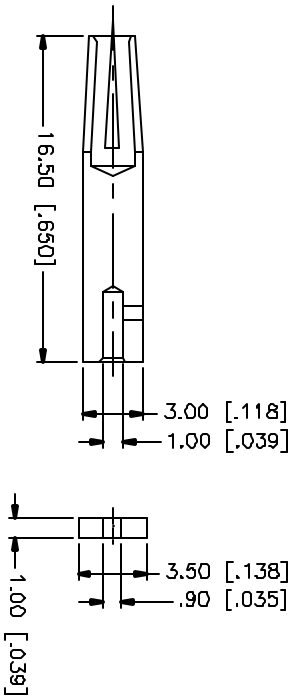
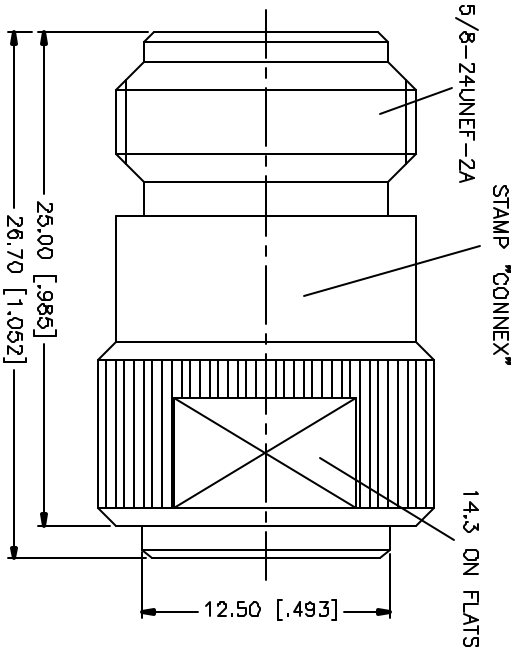


REV.	DATE	DESCRIPTION
NC	10/23/00	INITIAL RELEASE



RECOMMENDED CABLE STRIPPING DIM'S

DESCRIPTION	MATERIAL	FINISH	UNLESS OTHERWISE SPECIFIED DIMENSIONS ARE IN MILLIMETERS FOR CUSTOMER REFERENCE ONLY	APPROVALS	DATE	TITLE	SCALE	PART NO	SHEET	
1 OUTER BODY	BRASS	NICKEL	UNLESS OTHERWISE SPECIFIED DIMENSIONS ARE IN MILLIMETERS FOR CUSTOMER REFERENCE ONLY UNLESS OTHERWISE SPECIFIED TOLERANCES FOR MILLIMETERS ARE: 0.5-6 ± 0.2 6-30 ± 0.4 30-120 ± 0.6 120-315 ± 1 315-1000 ± 1.6 1000-2000 ± 2.4	DRAWN	10/23/00	Connex Connector Corporation N SOLDER JACK (FOR .141" SEMI RIGID CABLE) 172238.DWG	NA	172238	1 OF 1	
2 INSULATOR	TEFLON	NATURAL		CHECKED	G.R.S.			SIZE		
3 INNER BODY	BRASS	NICKEL		ISSUED				FSCM NO.	99001	DWG. NO.
4 CONTACT PIN	PHOS. BRONZE	GOLD						SIZE	A	172238.DWG
5 INSULATOR	TEFLON	NATURAL						SCALE		
6 SOLDER NUT	BRASS	GOLD						PART NO		
7								SHEET		
8				DO NOT SCALE DRAWING				REV.		