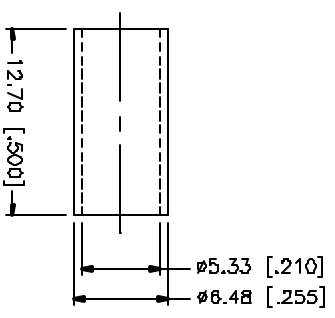
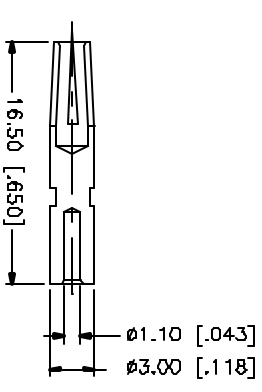
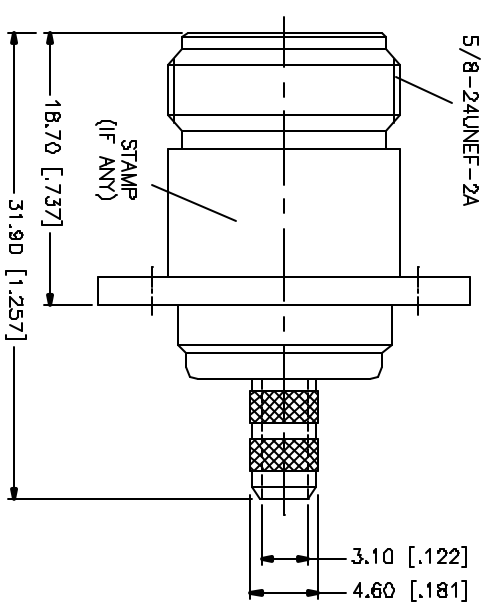
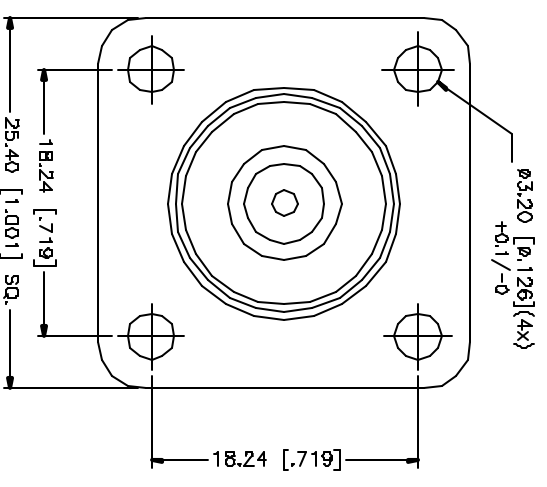
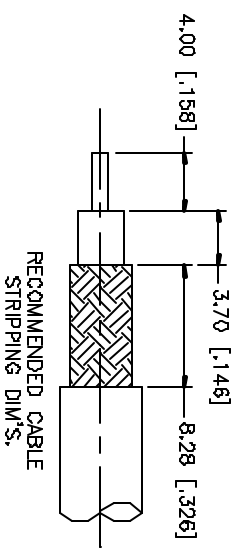


REV.	DATE	DESCRIPTION
A	11/21/03	UPDATE DRAWING FORMAT



- NOTES:
1. CRIMPED FERRULE
HEX. CRIMP SIZE .213"
 2. CRIMPED CONTACT PIN
HEX. CRIMP SIZE .100"

B	DESCRIPTION	MATERIAL	FINISH	QTY	UNLESS OTHERWISE SPECIFIED, DIMENSIONS ARE IN MILLIMETERS (DIMENSIONS IN [] ARE IN INCHES AND FOR CUSTOMER REFERENCE ONLY.)	APPROVALS	DATE	PART DESCRIPTION
1	INSULATOR BODY W/PANEL	BRASS	NATURAL	1	UNLESS OTHERWISE SPECIFIED, DIMENSIONS ARE IN MILLIMETERS (DIMENSIONS IN [] ARE IN INCHES AND FOR CUSTOMER REFERENCE ONLY.) DIMENSIONS FOR MILLIMETER ARE: D.5 - 8mm ± 0.20mm 9 - 30mm ± 0.40mm 30 - 120mm ± 0.50mm DIMENSIONS FOR INCHES ARE: .020 - .315 - ± 0.012" .315 - 1.180 - ± 0.014" 1.180 - 4.724 - ± 0.020"	Q.R.S.	11/21/03	Amphenol Connex N PANEL CRIMP JACK RGS58/U CABLE 1722208
2	INSULATOR	TEFLON	NATURAL	1		CHECKED		
3	CONTACT PIN	PHOS. BRONZE	GOLD	1	ISSUED			
4	FERRULE	COPPER	NEXCOTE	1	SHEET	1	OF	1
5								
6				1				
7								
8								
DESCRIPTION								
MATERIAL								
FINISH								
QTY								
DO NOT SCALE DRAWING								
DWG. NO.								
1722208.DWG								
REV. A								
SIZE A								
SCALE NA								