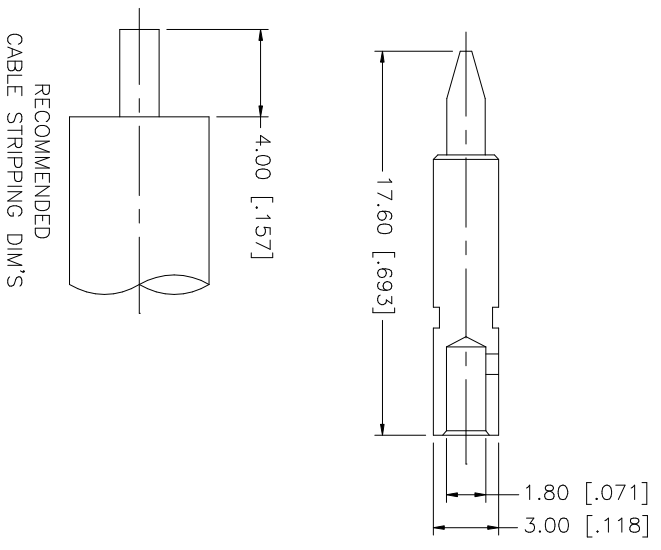
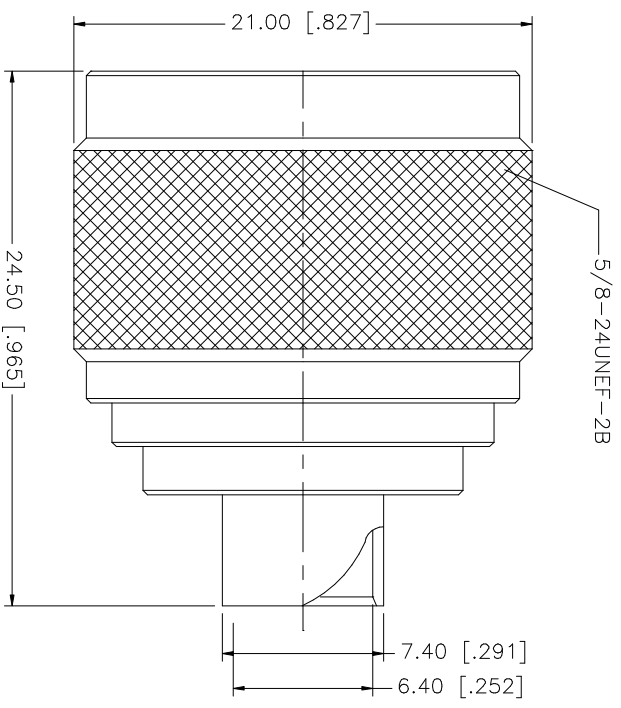


REV.	DATE	DESCRIPTION
A	04/31/03	UPDATE DRAWING FORMAT



NOTE:  
 1. CRIMPED CONTACT PIN  
 HEX CRIMP SIZE .100"  
 OR SOLDER

QTY	FINISH	MATERIAL	DESCRIPTION
1	NEXCOTE	BRASS	INSULATOR BODY
1	NATURAL	TEFLON	INSULATOR
1	GOLD	BRASS	CONTACT PIN

UNLESS OTHERWISE SPECIFIED DIMENSIONS ARE IN MILLIMETERS. DIMENSIONS IN [ ] ARE IN INCHES AND FOR CUSTOMER REFERENCE ONLY.
UNLESS OTHERWISE SPECIFIED, TOLERANCES FOR MILLIMETERS ARE: 0.5 - 8mm ± 0.20mm 8 - 30mm ± 0.40mm 30 - 120mm ± 0.50mm
UNLESS OTHERWISE SPECIFIED, TOLERANCES FOR INCHES ARE: .020 - .315 = ± 0.007" .315 - 1.180 = ± 0.015" 1.180 - 4.724 = ± 0.020"

APPROVALS	DATE
DRAWN G.R.S.	04/31/03
CHECKED	
ISSUED	
SHEET 1 OF 1	

PART DESCRIPTION	PART NO.
N DIRECT SOLDER PLUG (.250" SEMI-RIGID CABLE)	172139

CAD FILE	DWG. NO.	REV.	SIZE	SCALE
C:/172/172139.DWG	172139.DWG	A	A	NA

**Amphenol Connex**