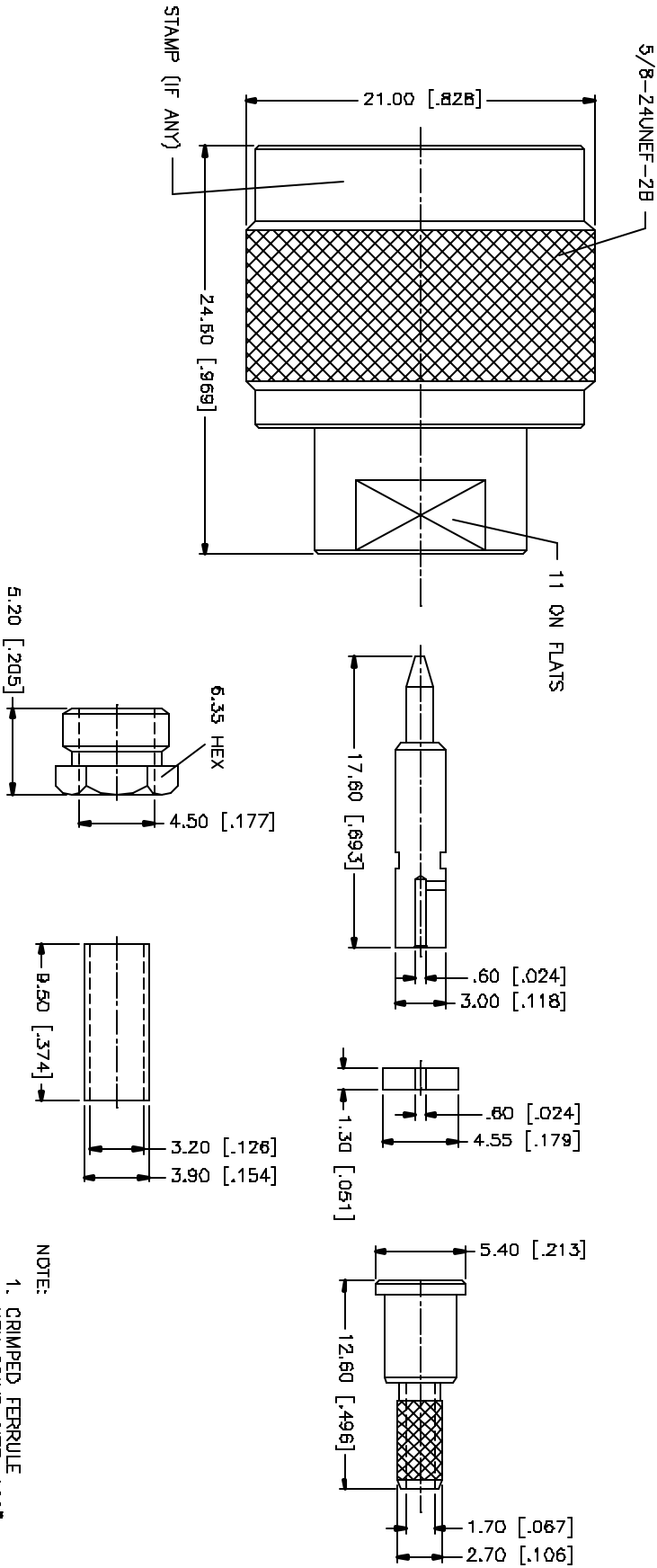
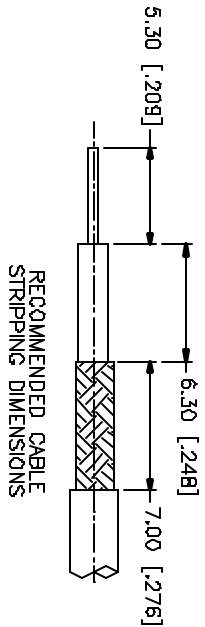


REV.	DATE	DESCRIPTION
NC	05/10/04	INITIAL RELEASE



- NOTE:
1. CRIMPED FERRULE
HEX CRIMP SIZE .128"
 2. CRIMPED CONTACT PIN
HEX CRIMP SIZE .100"

REV.	DATE	DESCRIPTION
8		
7		
6		
5		
4		
3		
2		
1		

REV.	DATE	DESCRIPTION
8		
7		
6		
5		
4		
3		
2		
1		

REV.	DATE	DESCRIPTION
8		
7		
6		
5		
4		
3		
2		
1		

REV.	DATE	DESCRIPTION
8		
7		
6		
5		
4		
3		
2		
1		

REV.	DATE	DESCRIPTION
8		
7		
6		
5		
4		
3		
2		
1		

REV.	DATE	DESCRIPTION
8		
7		
6		
5		
4		
3		
2		
1		

REV.	DATE	DESCRIPTION
8		
7		
6		
5		
4		
3		
2		
1		

REV.	DATE	DESCRIPTION
8		
7		
6		
5		
4		
3		
2		
1		

REV.	DATE	DESCRIPTION
8		
7		
6		
5		
4		
3		
2		
1		

REV.	DATE	DESCRIPTION
8		
7		
6		
5		
4		
3		
2		
1		

REV.	DATE	DESCRIPTION
8		
7		
6		
5		
4		
3		
2		
1		

REV.	DATE	DESCRIPTION
8		
7		
6		
5		
4		
3		
2		
1		

REV.	DATE	DESCRIPTION
8		
7		
6		
5		
4		
3		
2		
1		

REV.	DATE	DESCRIPTION
8		
7		
6		
5		
4		
3		
2		
1		

REV.	DATE	DESCRIPTION
8		
7		
6		
5		
4		
3		
2		
1		

REV.	DATE	DESCRIPTION
8		
7		
6		
5		
4		
3		
2		
1		

REV.	DATE	DESCRIPTION
8		
7		
6		
5		
4		
3		
2		
1		

REV.	DATE	DESCRIPTION
8		
7		
6		
5		
4		
3		
2		
1		

REV.	DATE	DESCRIPTION
8		
7		
6		
5		
4		
3		
2		
1		

REV.	DATE	DESCRIPTION
8		
7		
6		
5		
4		
3		
2		
1		

REV.	DATE	DESCRIPTION
8		
7		
6		
5		
4		
3		
2		
1		

REV.	DATE	DESCRIPTION
8		
7		
6		
5		
4		
3		
2		
1		

REV.	DATE	DESCRIPTION
8		
7		
6		
5		
4		
3		
2		
1		

REV.	DATE	DESCRIPTION
8		
7		
6		
5		
4		
3		
2		
1		

REV.	DATE	DESCRIPTION
8		
7		
6		
5		
4		
3		
2		
1		

REV.	DATE	DESCRIPTION
8		
7		
6		
5		
4		
3		
2		
1		

REV.	DATE	DESCRIPTION
8		
7		
6		
5		
4		
3		
2		
1		

REV.	DATE	DESCRIPTION
8		
7		
6		
5		
4		
3		
2		
1		

REV.	DATE	DESCRIPTION
8		
7		
6		
5		
4		
3		
2		
1		

REV.	DATE	DESCRIPTION
8		
7		
6		
5		
4		
3		
2		
1		

REV.	DATE	DESCRIPTION
8		
7		
6		
5		
4		
3		
2		
1		

REV.	DATE	DESCRIPTION
8		
7		
6		
5		
4		
3		
2		
1		

REV.	DATE	DESCRIPTION
8		
7		
6		
5		
4		
3		
2		
1		

REV.	DATE	DESCRIPTION
8		
7		
6		
5		
4		
3		
2		
1		

REV.	DATE	DESCRIPTION
8		
7		
6		
5		
4		
3		
2		
1		

REV.	DATE	DESCRIPTION
8		
7		
6		
5		
4		
3		
2		
1		

REV.	DATE	DESCRIPTION
8		
7		
6		
5		
4		
3		
2		
1		

REV.	DATE	DESCRIPTION
8		
7		
6		
5		
4		
3		
2		
1		

REV.	DATE	DESCRIPTION
8		
7		
6		
5		
4		
3		
2		
1		

REV.	DATE	DESCRIPTION
8		
7		
6		
5		
4		
3		
2		
1		

REV.	DATE	DESCRIPTION
8		
7		
6		
5		
4		
3		
2		
1		

REV.	DATE	DESCRIPTION
8		
7		
6		
5		
4		
3		
2		
1		

REV.	DATE	DESCRIPTION
8		
7		
6		
5		
4		
3		
2		
1		

REV.	DATE	DESCRIPTION
8		
7		
6		
5		
4		
3		
2		
1		

REV.	DATE	DESCRIPTION
8		
7		
6		
5		
4		
3		
2		
1		

REV.	DATE	DESCRIPTION
8		
7		
6		
5		