



# Connectivity Solutions

Complete or Partial Part #,  
Competitor Part # or  
Keywords.

Wireless

CATV

Audio &amp; Video

Networking &  
Structured Wiring

Military &amp; Aerospace

Test &amp; Measurement

Home

Member Access

Products

Connectors

Microwave Components

CATV Components

Coaxial Cable Assemblies

Structured Cabling &amp; Connectors

Tools &amp; Accessories

Customer Service

Request For Quote

Representatives

Distributors

Literature/Catalog Request

What's New

About Our Brands

Legal Terms

© 2007 All Rights Reserved

## Product Detail



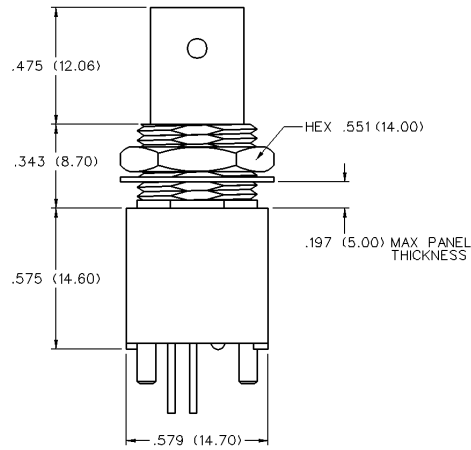
|                        |  |
|------------------------|--|
| <b>Product Line:</b>   | <a href="#">Cambridge</a> (Click for customer service)           |
| <b>Part Number:</b>    | CP-BNCPC-007   |
| <b>Description:</b>    | 50 Ohm BNC Straight PC Mount Bulkhead Jack Receptacle - Isolated |
| <b>Product Family:</b> | CONNECTORS & ADAPTERS_F STYLE_PCB & CHASSIS MOUNT                |
| <b>Body Style:</b>     | Bulkhead   |
| <b>Color / Finish:</b> | Nickel   |
| <b>Connector A:</b>    | BNC  |
| <b>Frequency:</b>      | 4 GHz  |
| <b>Genders:</b>        | Female   |
| <b>Ohm:</b>            | 50   |
| <b>Product Type:</b>   | PC Mount   |
| <b>RoHS Compliant:</b> | Yes  |

20070523-1523

# 50 Ohm BNC Straight Bulkhead PCMount Jack Receptacle - Isolated

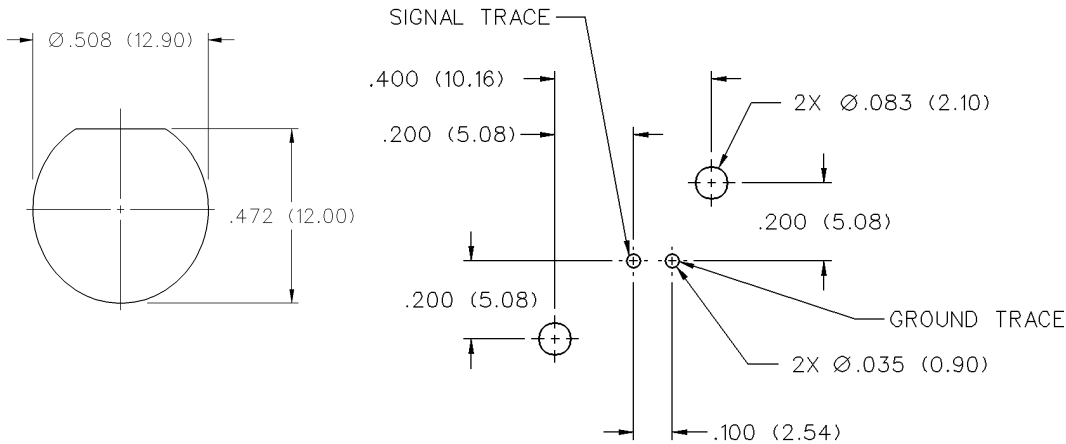


INCHES (MILLIMETERS)  
CUSTOMER DRAWINGS AVAILABLE UPON REQUEST



CP-BNCPC-007

### Mounting hole layouts



# BNC Connectors

## Specifications



INCHES (MILLIMETERS)  
CUSTOMER DRAWINGS AVAILABLE UPON REQUEST

The BNC series connector is a commercial quality product that intermates with all standard double bayonet stud BNC designs. All contacts are captivated for ruggedness. The 50 ohm and 75 ohm interfaces are intermateable and provide quick, reliable connections for instrumentation, medical and LAN applications.

### Specifications\*

#### 50 Ohm BNC

##### Electrical Characteristics

Impedance: 50 Ohm nominal

Frequency range: 0-4 GHz

Working voltage: 500 volts RMS at sea level

Dielectric withstanding voltage: 1500 volts RMS at sea level

Corona level: 375 volts minimum at 70,000 feet

Contact resistance: Outer - 0.2 milliohms maximum  
Center - 2.1 milliohms maximum

Insulation resistance: 5000 megohms minimum

##### Environmental Characteristics

Recommended temperature range: -55°C to +85°C

Moisture resistance: MIL-STD-202

##### Mechanical Characteristics

Durability: 500 cycles

Force to engage/disengage: 3 lbs. maximum

Cable retention: 20 lbs., RG-58 C/U cable

##### Materials

Body: Zinc or brass

Contact: Brass, beryllium copper or phosphor bronze

Spring Washer: Beryllium copper

Crimp sleeve: Brass

Insulator: Delrin® or TPX Polymethylpentene

Plating: Body - Nickel (except where noted)

Crimp sleeve - Nickel

Contact - Gold

\* These values are typical and may not apply to all connectors.