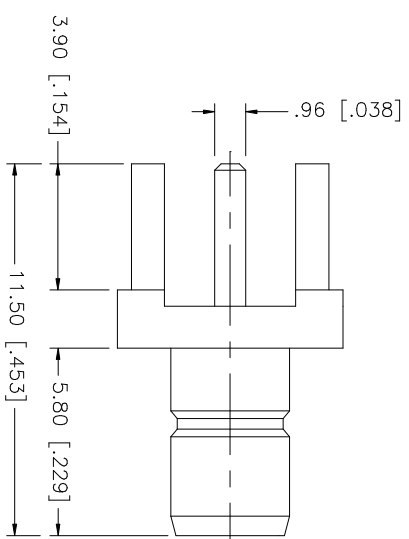
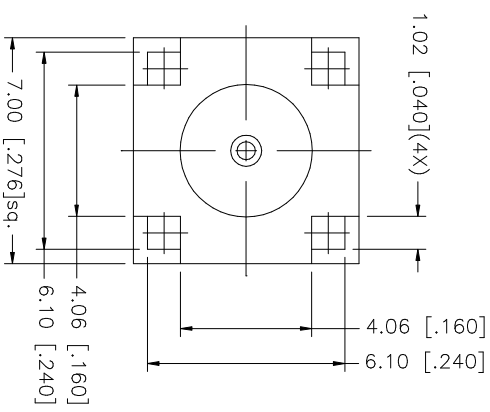
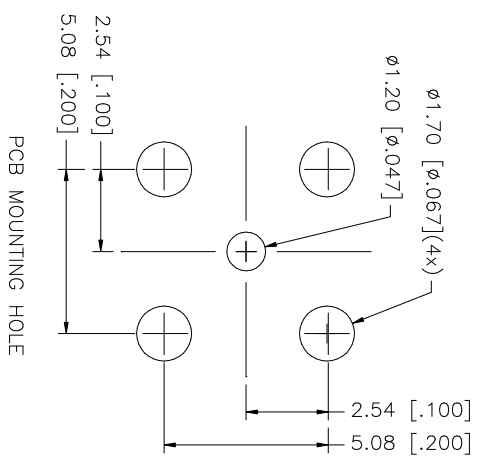


| REV. | DATE | DESCRIPTION |
|------|----------|-----------------------|
| A | 12/09/03 | UPDATE DRAWING FORMAT |



| QTY | FINISH | MATERIAL | DESCRIPTION |
|-----|---------|----------|-------------|
| 1 | GOLD | BRASS | CONTACT PIN |
| 1 | NATURAL | TEFLON | INSULATOR |
| 1 | GOLD | BRASS | BODY |
| | | | DESCRIPTION |

| UNLESS OTHERWISE SPECIFIED DIMENSIONS ARE IN MILLIMETERS. DIMENSIONS IN [] ARE IN INCHES AND FOR CUSTOMER REFERENCE ONLY. | APPROVALS | DATE |
|--|--------------|----------|
| UNLESS OTHERWISE SPECIFIED TOLERANCES FOR MILLIMETERS ARE: 0.5 - 8mm ± 0.20mm 8 - 30mm ± 0.40mm 30 - 120mm ± 0.50mm | DRAWN G.R.S. | 12/09/03 |
| UNLESS OTHERWISE SPECIFIED TOLERANCES FOR INCHES ARE: .020 - .315 = ± 0.007" .315 - 1.180 = ± 0.015" 1.180 - 4.724 = ± 0.020" | CHECKED | |
| DO NOT SCALE DRAWING | ISSUED | |
| | SHEET 1 OF 1 | |

| CAD FILE | DWG. NO. | REV. | SIZE | SCALE |
|-------------------|------------|------|------|-------|
| C:/142/142138.DWG | 142138.DWG | A | A | NA |

| PART DESCRIPTION | PART NO. |
|------------------------|----------|
| Amphenol Connex | 142138 |
| SMB P.C. MOUNTING JACK | |