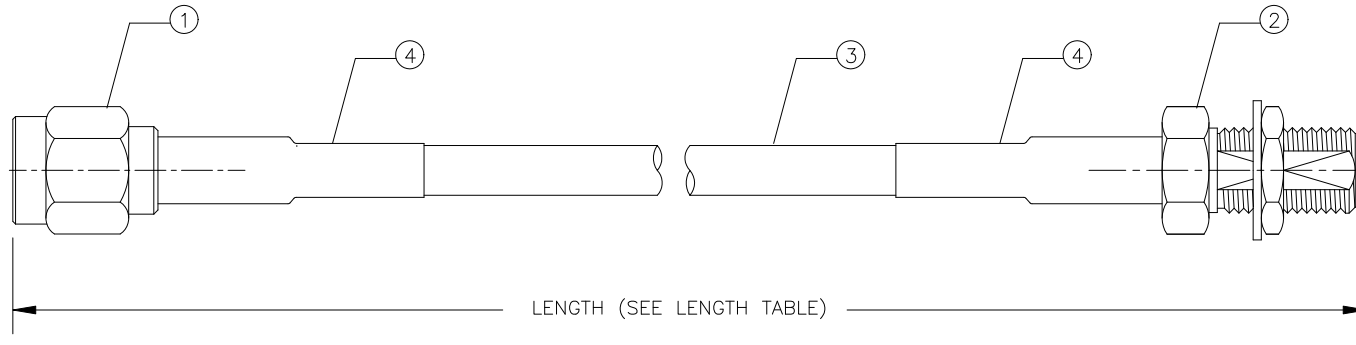


REV.	DATE	ECR NO.	DESCRIPTION
NC	02/04/09	-	INITIAL RELEASE



LENGTH TABLE	
PART NUMBER	LENGTH (IN.)
135110-01-06.00	6.00
135110-01-12.00	12.00
135110-01-24.00	24.00
135110-01-36.00	36.00

- NOTE:
- PERFORM CONTINUITY AND HI-POT TESTING.
 - PACKAGED INDIVIDUALLY IN HEAT SEALED POLY BAG.

PN	DESCRIPTION	QTY
4 009-954-341	HEAT SHRINK TUBING, BLACK, 3/16" DIAMETER	A/R FT
3 009-881-205	COAXIAL CABLE, RG316/U	A/R FT
2 132119	CONNECTOR, SMA BULKHEAD JACK, GOLD	1
1 132114	CONNECTOR, SMA STRAIGHT PLUG, GOLD	1

UNLESS OTHERWISE SPECIFIED DIMENSIONS ARE IN MILLIMETERS. DIMENSIONS IN [] ARE IN INCHES AND FOR CUSTOMER REFERENCE ONLY.

UNLESS OTHERWISE SPECIFIED TOLERANCES FOR MILLIMETERS ARE:
0.5 - 8mm ± 0.20mm
8 - 30mm ± 0.40mm
30 - 120mm ± 0.50mm

UNLESS OTHERWISE SPECIFIED TOLERANCES FOR INCHES ARE:
.020 - .315 = ± 0.007"
.315 - 1.180 = ± 0.015"
1.180 - 4.724 = ± 0.020"

DO NOT SCALE DRAWING

APPROVALS	DATE
DRAWN G.R.S.	02/04/09
CHECKED	
ISSUED	
SHEET 1 OF 1	
CAD FILE	C:/135/135110-01-XX.XX.DWG

Amphenol Connex

PART DESCRIPTION
**SMA CABLE ASSEMBLY
STRAIGHT PLUG TO BULKHEAD JACK, RG316/U**

PART NO.
135110-01-XX.XX

DWG. NO.	135110-01-XX.XX.DWG	REV.	NC	SIZE	A	SCALE	NA
----------	---------------------	------	----	------	---	-------	----