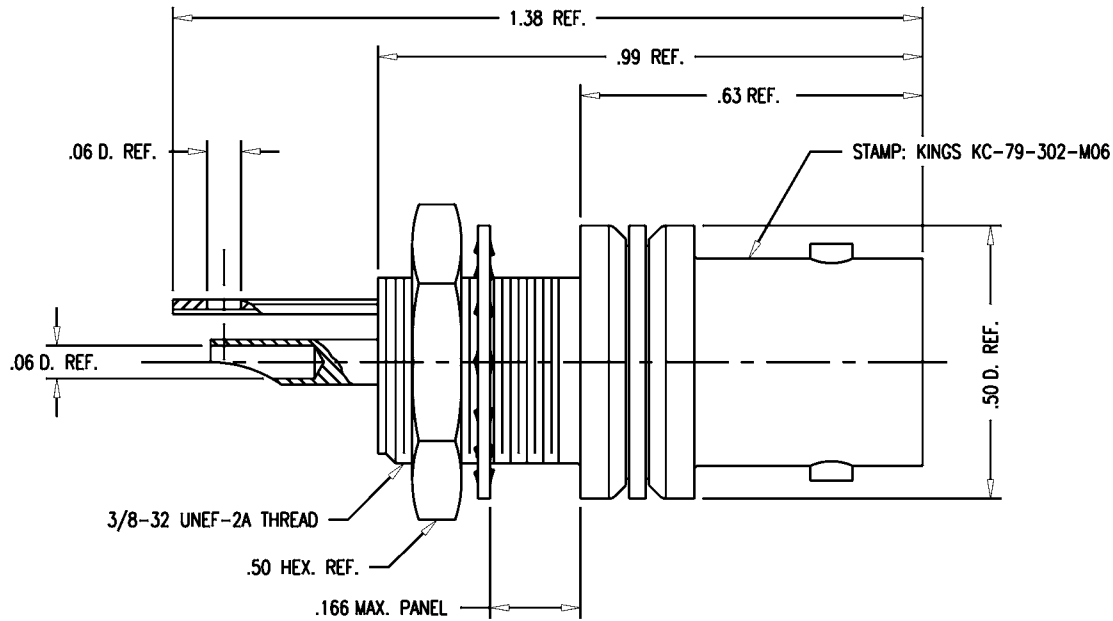
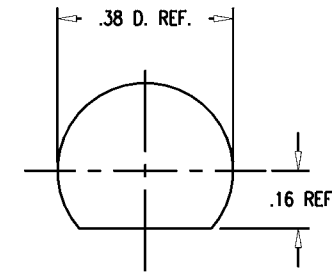


SD



NOTES:

1. INTERFACE PER MIL-STD-348, FIG. 301-2.
2. MATERIALS:
 INSULATOR: VALOX, 420 SEO
 LOCKWASHER: PHOS. BRONZE, ASTM-B-103
 CONTACT: BER. COPPER, ASTM-B-196
 ALL OTHER METAL PARTS: BRASS, ASTM-B16
3. FINISHES:
 LUG: HOT TIN DIP PER MIL-T-10727
 CONTACT: SILVER PLATE PER QQ-S-365
 ALL OTHER METAL PARTS: KINGS TARNISH RESISTANT NICKEL FINISH (TR-5)
4. ELECTRICAL CHARACTERISTICS:
 NOMINAL IMPEDANCE: 50~W
 FREQUENCY RANGE: DC TO 4 GHz
 WORKING VOLTAGE: 500 VOLTS RMS



MOUNTING HOLE

SD

KC-79-302-M06

REVISIONS	
ISSUE	CHANGES
9	CN 36774 A REDRAWN ME 01/18/96
10	CN 37268 C PB 24 FEB 97

QGS1191

SCALE : 4:1	
APPROX SURFACE AREA	
WAS: E-11333	
USED ON	
REF:	
RECEPTACLE, BULKHEAD, ISOLATED GROUND, BNC, F	
DRAWN ME	DATE 01/18/96
DESIGN DW	DATE 01/19/96
APPR. DW	DATE 01/19/96
KINGS ELECTRONICS CO., INC. TUCKAHOE, NEW YORK 10707	
KC-79-302-M06	