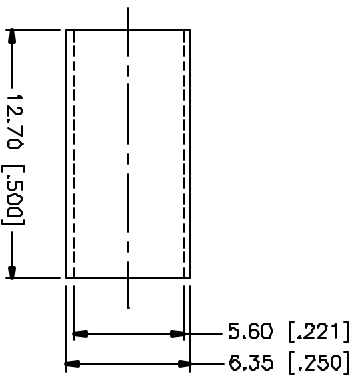
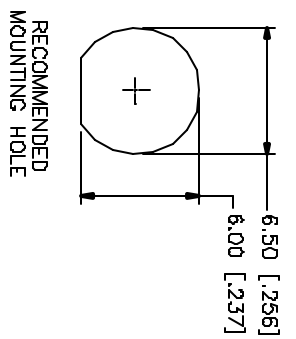
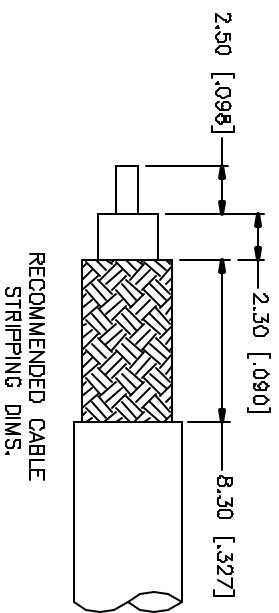
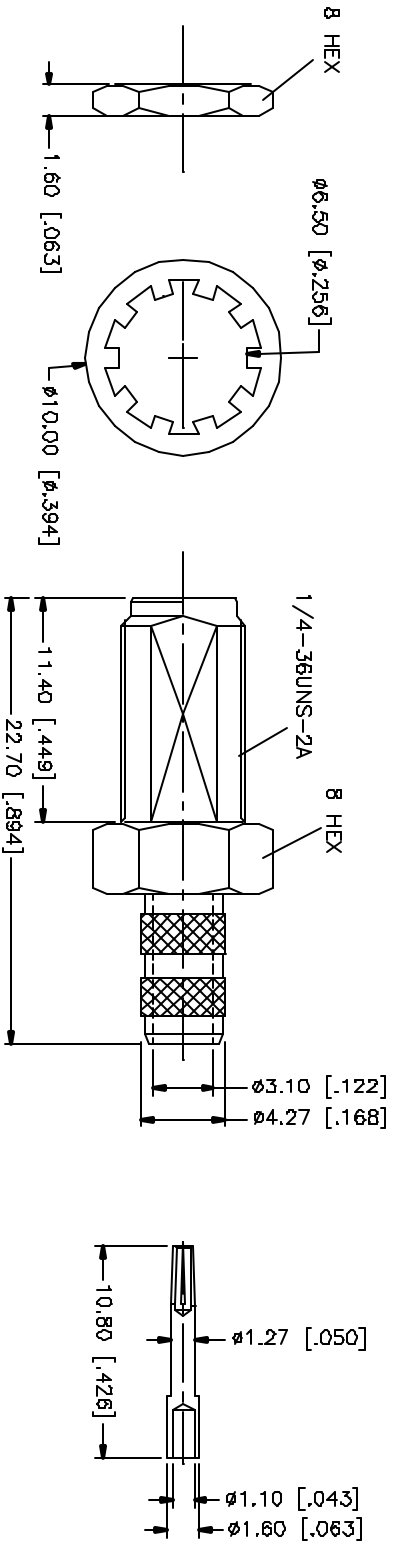


REV.	DATE	DESCRIPTION
NC	02/13/98	INITIAL RELEASE
A	05/01/04	UPDATE DRAWING FORMAT



NO.	DESCRIPTION	MATERIAL	FINISH	QTY
8				
7				
6	FERRULE	COPPER	GOLD	1
5	HEX NUT	BRASS	GOLD	1
4	LOCK WASHER	BRASS	GOLD	1
3	CONTACT PIN	BER. COPPER	GOLD	1
2	INSULATOR	TEFLON	NATURAL	1
1	BODY	BRASS	GOLD	1
	DESCRIPTION	MATERIAL	FINISH	QTY

<p>PLEASE OBSERVE PROPOSED DIMENSIONS ARE BASED UPON THE FOLLOWING TOLERANCES:</p> <p>UNLESS OTHERWISE SPECIFIED, DIMENSIONS FOR MILLIMETER ARE:</p> <p>0.5 - 30mm ± 0.20mm</p> <p>30 - 120mm ± 0.50mm</p> <p>UNLESS OTHERWISE SPECIFIED, TOLERANCES FOR INCHES ARE:</p> <p>.020 - .315 ± 0.007"</p> <p>.315 - 1.180 ± 0.015"</p> <p>1.180 - 4.724 ± 0.020"</p>	<p>APPROVALS</p> <p>DATE</p> <p>05/01/04</p>
<p>DD NOT SCALE DRAWING</p>	<p>DATE</p> <p>05/01/04</p>
<p>CDW FILE</p> <p>C:/132/132191.DWG</p>	<p>DATE</p> <p>05/01/04</p>
<p>DWG. NO.</p> <p>132191.DWG</p>	<p>REV. A</p>
<p>REV. A</p>	<p>SIZE A</p>
<p>SCALE NA</p>	<p>SCALE NA</p>

<h1>Amphenol Connex</h1>	
<p>PART DESCRIPTION</p> <p>SMA BULKHEAD CRIMP JACK</p>	
<p>PART NO.</p> <p>132191</p>	