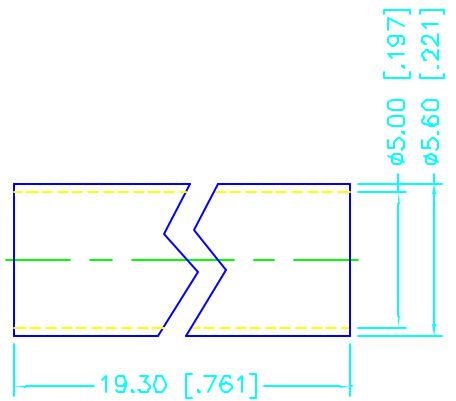
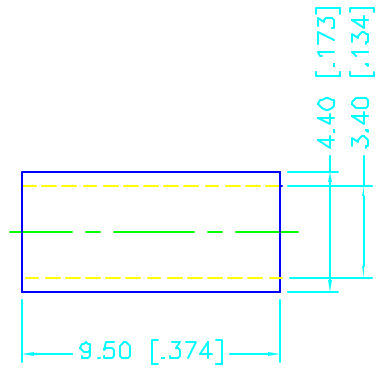
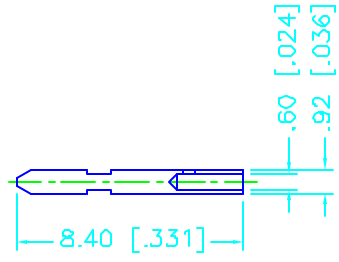
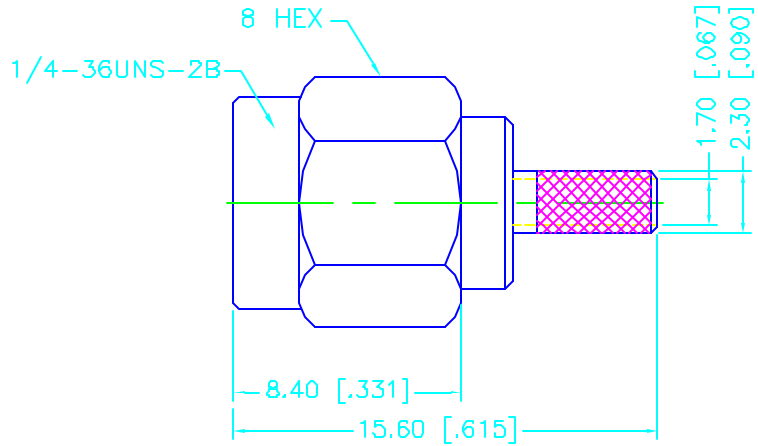
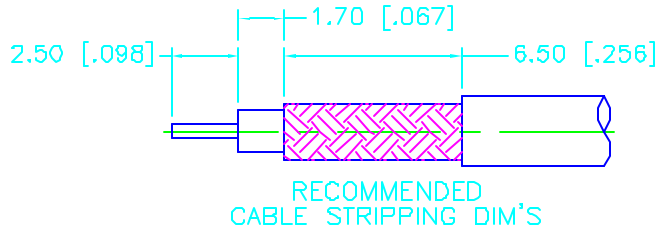



REV.	DATE	DESCRIPTION
D	11/08/99	UPDATE STRIPPING DIM'S



NOTE:
 USE .151 HEX CRIMP DIE TO
 TERMINATE FERRULE TO CABLE.
 - CONNEX TOOL 47-10160
 - IDEAL TOOL 36-489

DESCRIPTION	MATERIAL	FINISH	UNLESS OTHERWISE SPECIFIED: DIMENSIONS ARE IN MILLIMETERS	APPROVALS	DATE	 Connex Connector Corporation					
1 BODY	BRASS	GOLD	DIMENSIONS IN [] ARE IN INCHES FOR CUSTOMER REFERENCE ONLY UNLESS OTHERWISE SPECIFIED TOLERANCES FOR MILLIMETERS ARE: 0.5-6 = ± 0.2 6-30 = ± 0.4 30-120 = ± 0.6 120-315 = ± 1 315-1000 = ± 1.6 1000-2000 = ± 2.4	DRAWN	G.R.S.					11/08/99	TITLE
2 INSULATOR	TEFLON	NATURAL		CHECKED			316/U - DOUBLE BRAID		SIZE	FSCM NO.	DWG. NO.
3 CONTACT PIN	BRASS	GOLD	ISSUED			A	99001	132178.DWG	D		
4 HEAT SHRINK			DO NOT SCALE DRAWING			SCALE	NA	PART NO.	132178	SHEET	1 OF 1