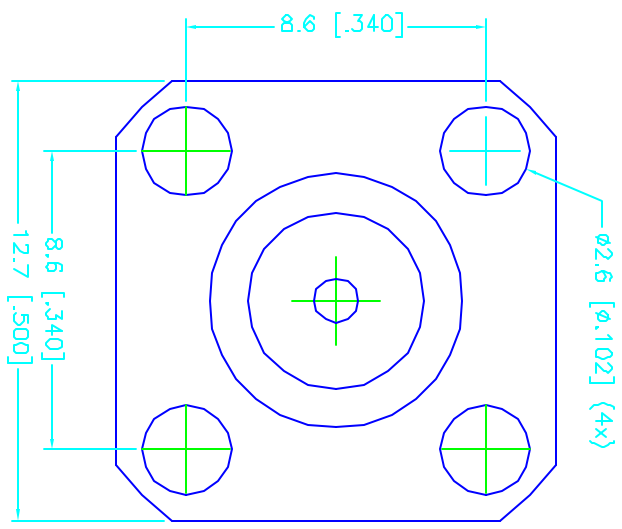
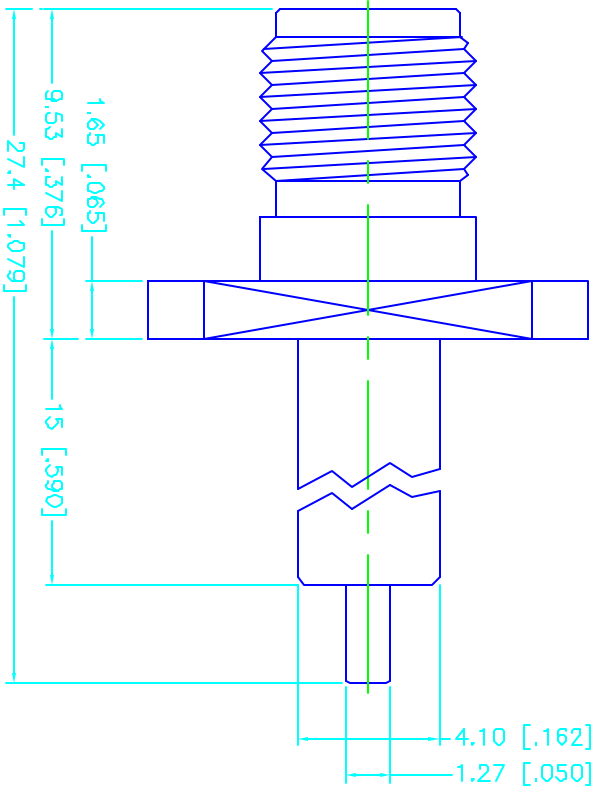


REV.	DATE	DESCRIPTION
A	07/27/97	CHANGE CONTACT PIN MATERIAL
B	04/28/00	REFORMAT DRAWING



DESCRIPTION	MATERIAL	FINISH	UNLESS OTHERWISE SPECIFIED DIMENSIONS ARE IN MILLIMETERS	APPROVALS	DATE	TITLE	SCALE	SHEET	OF
1 BODY	BRASS	GOLD	DIMENSIONS IN [] ARE IN INCHES	DRAWN G.R.S.	04/28/00	comnex Connector Corporation SMA FOUR (4) HOLE PANEL RECEPTACLE	NA	132146	1
2 INSULATOR	TEFLON	NATURAL	FOR CUSTOMER REFERENCE ONLY	CHECKED					
3 CONTACT PIN	BER. COPPER	GOLD	UNLESS OTHERWISE SPECIFIED TOLERANCES FOR MILLIMETERS ARE	ISSUED					
4			0.5-6 ± 0.2						
5			6-30 ± 0.4						
6			30-120 ± 0.6						
7			120-315 ± 1						
8			315-1000 ± 1.6						
			1000-2000 ± 2.4						
DO NOT SCALE DRAWING									