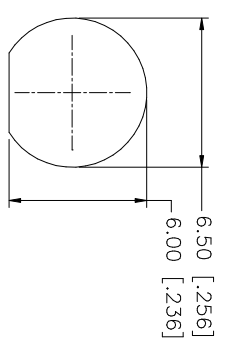
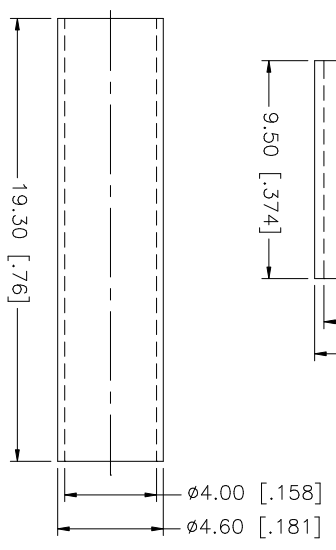
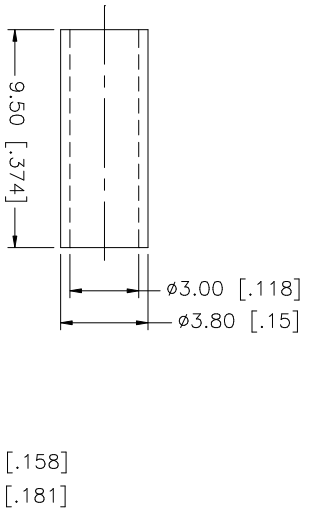
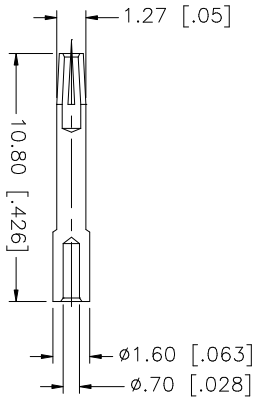
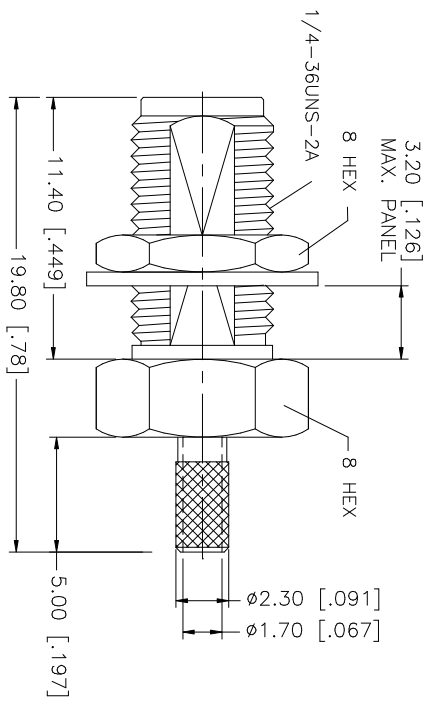
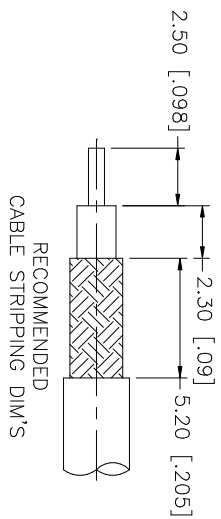


REV.	DATE	DESCRIPTION
A	01/29/00	UPDATE FERRULE
B	01/02/01	MODIFY BARREL / ADD HEAT SHRINK
C	04/31/03	UPDATE DRAWING FORMAT



- CRIMP NOTES:
1. CRIMPED FERRULE  
HEX CRIMP SIZE .128"
  2. CONTACT PIN TO SOLDER
  3. MAX. PANEL THICKNESS = 3.2mm

QTY	DESCRIPTION	MATERIAL	FINISH	FINISH	QTY	DO NOT SCALE DRAWING	CAD FILE	DWG. NO.	REV.	SIZE	SCALE
1	HEAT SHRINK TUBING						C:/132/132119.DWG	132119.DWG	C	A	NA
1	FERRULE	COPPER	GOLD								
1	LOCK WASHER	BRASS	GOLD								
1	HEX NUT	BRASS	GOLD								
1	CONTACT PIN	BER. COPPER	GOLD								
1	INSULATOR	TEFLON	NATURAL								
1	BODY	BRASS	GOLD								
	DESCRIPTION	MATERIAL	FINISH	FINISH	QTY	DO NOT SCALE DRAWING	CAD FILE	DWG. NO.	REV.	SIZE	SCALE

**Amphenol Connex**

SMA BULKHEAD CRIMP JACK  
(FOR RG-174/U, 188A/U, 316/U CABLE)

132119

UNLESS OTHERWISE SPECIFIED DIMENSIONS ARE IN MILLIMETERS DIMENSIONS IN [ ] ARE IN INCHES AND FOR CUSTOMER REFERENCE ONLY.  
UNLESS OTHERWISE SPECIFIED TOLERANCES FOR MILLIMETERS ARE:  
0.5 - 8mm ± 0.20mm  
8 - 30mm ± 0.40mm  
30 - 120mm ± 0.50mm  
UNLESS OTHERWISE SPECIFIED TOLERANCES FOR INCHES ARE:  
.020 - .315 = ± 0.007"  
.315 - 1.180 = ± 0.015"  
1.180 - 4.724 = ± 0.020"

APPROVALS

DATE

G.R.S.

04/31/03

CHECKED

ISSUED

SHEET 1 OF 1

PART DESCRIPTION  
SMA BULKHEAD CRIMP JACK  
(FOR RG-174/U, 188A/U, 316/U CABLE)  
PART NO. 132119